

aquatherm

825 West 600 North
Lindon, UT 84042
USA
Phone: +1 801-805-6657

support@aquatherm.com
www.aquatherm.com

aquatherm GmbH

Headquarters
Biggen 5
57439 Attendorn
Germany
Phone: +49 (0) 2722 950-0
www.aquatherm.de



aquatherm

state of the pipe

© 2021 **aquatherm** GmbH, **aquatherm** LP, and **aquatherm** Corp.
All rights reserved.

2021 Edition
12/13/2021 Edition



Digital Only

AQUATHERM NORTH AMERICA PARTS GUIDE 2021



AQUATHERM NORTH AMERICA PARTS GUIDE 2021



aquatherm

we've got a pipe for that

TABLE OF CONTENTS

aquatherm blue pipe®	2
aquatherm green pipe®	7
90(s)	10
45(s)	13
22.5(s)	16
Tee(s)	18
Reducing Tee(s)	21
Couplings	29
Bushing	30
Reducing Coupling	31
Butt-Fusion Reducer	32
Fusion Outlets	33
End Caps	36
Flanges	37
Union with Brass Nut	40
Union with PP-R Nut	40
Electrofusion Coupling	41
Transition Fittings	42
Valves	52
Accessories	56
Tools	58

Note: Dimensional data for the fittings has been added to the Aquatherm Parts Guide. However, due to the ongoing expansion and improvement of the Aquatherm line, dimensions are occasionally modified to meet changing requirements or improve functionality. The online Parts Guide will provide the most current information. Please contact Aquatherm with any questions or discrepancies found between the Parts Guide and actual parts. Part numbers for configurations and fittings not shown here are available upon request.

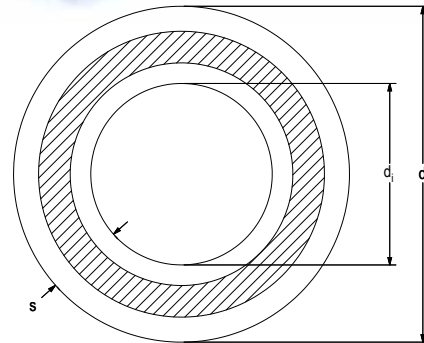
PRODUCT RANGE - PIPE

aquatherm blue pipe® SDR 17.6 MF RP

Material: Fusiole PP-RCT multi-layer, fiber-composite

In accordance with:

- NSF-14
- CSA-B137.11
- ICC AC 122
- ICC ESR 1613
- ASTM F 2389



Appearance: Blue

NSF/APMO/ICC system certification: Including fittings, connection pieces, and connection techniques.

Fields of application: Cooling distribution, condenser water, industrial applications, compressed air, and limited heating applications.

Pipe ^a		Diameter ^b	Wall thickness	Internal diameter	Water capacity	Weight ^c	Weight w/ water
Part no.	Dimension (ND — OD)	d (in)	s (in)	d _i (in)	gal/ft	lb/ft	lb/ft
3570128	4" — 125 mm	4.92	0.28	4.37	0.776	1.92	8.41
3570128x2 ^d	4" — 125 mm (Double Length)	4.92	0.28	4.37	0.776	1.92	8.41
3570130	6" — 160 mm	6.30	0.36	5.59	1.272	2.93	13.5
3570130x2 ^d	6" — 160 mm (Double Length)	6.30	0.36	5.59	1.272	2.93	13.5
3570134	8" — 200 mm	7.87	0.45	6.97	1.987	4.57	22.0
3570134x2 ^d	8" — 200 mm (Double Length)	7.87	0.45	6.97	1.987	4.57	22.0
3570138	10" — 250 mm	9.84	0.56	8.74	3.105	7.10	33.0
3570138x2 ^d	10" — 250 mm (Double Length)	9.84	0.56	8.74	3.105	7.10	33.0
3570142	12" — 315 mm	12.4	0.70	11.0	4.930	11.3	52.3
3570142x2 ^d	12" — 315 mm (Double Length)	12.4	0.70	11.0	4.930	11.3	52.3
3570144	14" — 355 mm	14.0	0.79	12.4	6.261	14.3	66.5
3570144x2 ^d	14" — 355 mm (Double Length)	14.0	0.79	12.4	6.261	14.3	66.5
3570146	16" — 400 mm	15.8	0.89	14.0	7.949	18.1	84.4
3570146x2 ^d	16" — 400 mm (Double Length)	15.8	0.89	14.0	7.949	18.1	84.4
3570148	18" — 450 mm	17.7	1.00	15.8	10.061	22.9	107
3570148x2 ^d	18" — 450 mm (Double Length)	17.7	1.00	15.8	10.061	22.9	107
3570150	20" — 500 mm	19.7	1.12	17.4	12.421	28.3	132
3570150x2 ^d	20" — 500 mm (Double Length)	19.7	1.12	17.4	12.421	28.3	132
3570154	24" — 630 mm	24.8	1.41	22.0	19.719	44.7	209
3570154x2 ^d	24" — 630 mm (Double Length)	24.8	1.41	22.0	19.719	44.7	209

^a Pipes come in standard 19 ft lengths (5.8 m).

^b To calculate dimensions of the pipe in millimeters, multiply the imperial inches measurement by 25.4.

^c To calculate the weight of the pipe in kg/m, multiply the measurement by 1.5.

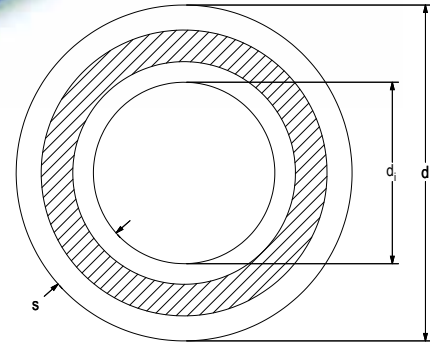
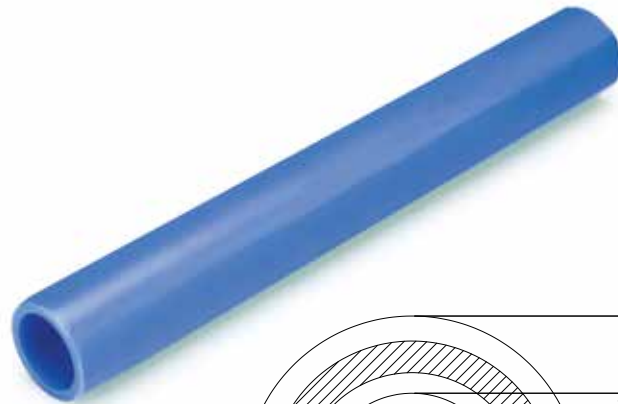
^d Pipe comes in 38 ft lengths.

aquatherm blue pipe® SDR 7.4/11 MF RP

Material: Fusiolen PP-RCT multi-layer, fiber-composite

In accordance with:

- NSF-14
- CSA-B137.11
- ICC AC 122
- ICC ESR 1613
- ASTM F 2389



Appearance: Blue

NSF system certification: Including fittings, connection pieces, and connection techniques.

Fields of application: Heating and cooling applications, industrial applications, compressed air.

Pipe ^a		Diameter ^b	Wall thickness	Internal diameter	Water capacity	Weight ^c	Weight w/ water
Part no.	Dimension (ND — OD)	d (in)	s (in)	d _i (in)	gal/ft	lb/ft	lb/ft
2672708	½" — 20 mm SDR 7.4	0.79	0.11	0.57	0.013	0.13	0.24
2672710	¾" — 25 mm SDR 7.4	0.98	0.13	0.71	0.021	0.20	0.37
1970712	1" — 32 mm SDR 9	1.26	0.11	1.03	0.043	0.19	0.55
2672114	1 ¼" — 40 mm SDR 11	1.57	0.14	1.29	0.068	0.29	0.85
2672116	1 ½" — 50 mm SDR 11	1.97	0.18	1.61	0.106	0.45	1.33
2672118	2" — 63 mm SDR 11	2.48	0.23	2.03	0.168	0.70	2.12
2672120	2 ½" — 75 mm SDR 11	2.95	0.27	2.42	0.238	1.00	2.98
2672122	3" — 90 mm SDR 11	3.54	0.32	2.90	0.343	1.44	4.29
2672124	3 ½" — 110 mm SDR 11	4.33	0.39	3.54	0.512	2.13	6.39
2672126	4" — 125 mm SDR 11	4.92	0.45	4.02	0.661	2.77	8.25
2672126x2 ^d	4" — 125 mm SDR 11 (Double Length)	4.92	0.45	4.02	0.661	2.77	8.25
2071130	6" — 160 mm SDR 11	6.30	0.57	5.16	1.084	4.52	13.6
2071130x2 ^d	6" — 160 mm SDR 11 (Double Length)	6.30	0.57	5.16	1.084	4.52	13.6
2071134	8" — 200 mm SDR 11	7.87	0.72	6.46	1.693	7.04	21.2
2071134x2 ^d	8" — 200 mm SDR 11 (Double Length)	7.87	0.72	6.46	1.693	7.04	21.2
2071138	10" — 250 mm SDR 11	9.84	0.89	8.07	2.646	11.0	33.1
2071138x2 ^d	10" — 250 mm SDR 11 (Double Length)	9.84	0.89	8.07	2.646	11.0	33.1
2071142	12" — 315 mm SDR 11	12.4	1.13	10.2	4.201	17.3	52.3
2071142x2 ^d	12" — 315 mm SDR 11 (Double Length)	12.4	1.13	10.2	4.201	17.3	52.3
2071144	14" — 355 mm SDR 11	14.0	1.27	11.4	5.335	22.2	66.5
2071144x2 ^d	14" — 355 mm SDR 11 (Double Length)	14.0	1.27	11.4	5.335	22.2	66.5
2071146 ^e	16" — 400 mm SDR 11	15.8	1.43	12.9	6.773	27.8	84.1
2071148 ^e	18" — 450 mm SDR 11	17.7	1.61	14.5	8.573	35.2	107
The following items are supplied in coils:							
2010308	½" — 20 mm SDR 11 (100 m or 328' length coils)	0.79	0.07	0.65	0.017	0.07	0.21
2010310	¾" — 25 mm SDR 11 (100 m or 328' length coils)	0.98	0.09	0.81	0.026	0.11	0.33
2010312	1" — 32 mm SDR 11 (50 m or 164' length coils)	1.26	0.11	1.03	0.043	0.17	0.53

^a Pipes come in standard 19 ft lengths (5.8 m).

^b To calculate dimensions of the pipe in millimeters, multiply the imperial inches measurement by 25.4.

^c To calculate the weight of the pipe in kg/m, multiply the measurement by 1.5.

^d Pipe comes in 38 ft lengths.

^e Special order item. Please contact your sales representative for lead times.

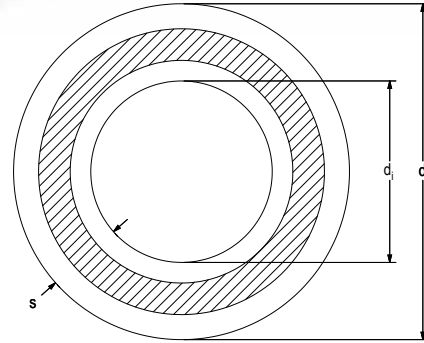
PRODUCT RANGE - PIPE

aquatherm blue pipe® SDR 9 MF RP

Material: Fusiole PP-RCT multi-layer, fiber-composite

In accordance with:

- NSF-14
- CSA-B137.11
- ICC AC 122
- ICC ESR 1613
- ASTM F 2389



Appearance: Blue

NSF system certification: Including fittings, connection pieces, and connection techniques.

Fields of application: Heating and cooling applications, industrial applications, compressed air.

Pipe ^a		Diameter ^b	Wall thickness	Internal diameter	Water capacity	Weight ^c	Weight w/ water
Part no.	Dimension (ND — OD)	d (in)	s (in)	d _i (in)	gal/ft	lb/ft	lb/ft
1970712	1" — 32 mm	1.26	0.14	0.98	0.039	0.22	0.55
1970714	1 ¼" — 40 mm	1.57	0.18	1.22	0.061	0.35	0.85
1970716	1 ½" — 50 mm	1.97	0.22	1.53	0.095	0.54	1.33
1970718	2" — 63 mm	2.48	0.28	1.92	0.151	0.85	2.11
1970720	2 ½" — 75 mm	2.95	0.33	2.29	0.214	1.20	2.99
1970722	3" — 90 mm	3.54	0.40	2.75	0.308	1.73	4.30
1970724	3 ½" — 110 mm	4.33	0.48	3.36	0.461	2.56	6.41
1970726	4" — 125 mm	4.92	0.55	3.82	0.595	3.31	8.27
1970730	6" — 160 mm	6.30	0.70	4.89	0.975	5.41	13.5
1970734	8" — 200 mm	7.87	0.88	6.11	1.522	8.45	21.2
1970738	10" — 250 mm	9.84	1.10	7.65	2.384	13.2	33.0
1970742 ^d	12" — 315 mm	12.4	1.39	9.63	3.782	20.9	52.5
1970744 ^d	14" — 355 mm	14.0	1.56	10.9	4.801	26.5	66.6

^a Pipes come in standard 19 ft lengths (5.8 m).

^b To calculate dimensions of the pipe in millimeters, multiply the imperial inches measurement by 25.4.

^c To calculate the weight of the pipe in kg/m, multiply the measurement by 1.5.

^d Special order item. Please contact your sales representative for lead times.

aquatherm blue pipe® SDR 17.6 MF RP UV

Material: Fusiolen PP-RCT multi-layer, faser-composite

In accordance with:

- NSF-14
- CSA-B137.11
- ICC AC 122
- ICC ESR 1613
- ASTM F 2389

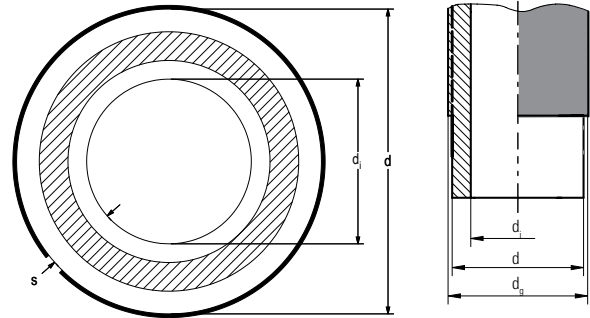


Appearance: Blue with black exterior.

NSF system certification: Including fittings, connection pieces and connection techniques.

Fields of application: All the same applications as the standard aquatherm blue pipe® SDR 17.6 MF RP, but for installations where the pipe is exposed to UV radiation.

Note: Because these parts are not stocked in large numbers, please contact Aquatherm for details about your order.



Pipe ^a		Diameter ^b	Wall thickness	Internal diameter	(d) total	Water capacity	Weight ^c	Weight w/ water
Part no.	Dimension (ND — OD)	d (in)	s (in)	d _i (in)	d _s (in)	gal/ft	lb/ft	lb/ft
2570180	6" — 160 mm	6.30	0.36	5.59	6.38	1.272	3.28	13.9
2570184	8" — 200 mm	7.87	0.45	6.97	7.95	1.987	5.09	21.6
2570188	10" — 250 mm	9.84	0.56	8.74	9.92	3.105	7.68	33.6
2570192	12" — 315 mm	12.4	0.70	11.0	12.5	4.930	12.0	53.0
2570194	14" — 355 mm	14.0	0.79	12.4	14.1	6.261	15.1	67.3
2570196	16" — 400 mm	15.8	0.89	14.0	15.9	7.949	19.1	85.4
2570198	18" — 450 mm	17.7	1.00	15.8	17.8	10.061	24.0	108
2570200	20" — 500 mm	19.7	1.12	17.4	19.8	12.421	29.6	133
2570204	24" — 630 mm	24.8	1.41	22.0	24.9	19.719	46.5	211

^a Pipes come in standard 19 ft lengths (5.8 m).

^b To calculate dimensions of the pipe in millimeters, multiply the imperial inches measurement by 25.4.

^c To calculate the weight of the pipe in kg/m, multiply the measurement by 1.5.

PRODUCT RANGE - PIPE

aquatherm blue pipe® SDR 7.4/11 MF RP UV

Material: Fusiole PP-RCT multi-layer, faser-composite

In accordance with:

- NSF-14
- CSA-B137.11
- ICC AC 122
- ICC ESR 1613
- ASTM F 2389

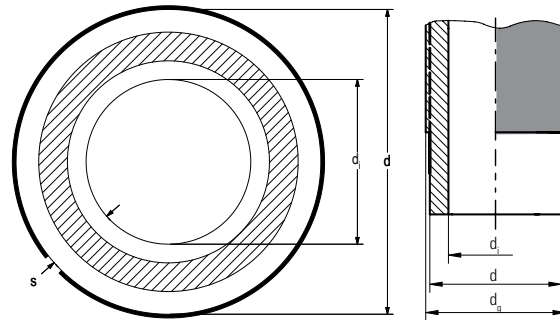


Appearance: Blue with black exterior.

NSF system certification: Including fittings, connection pieces and connection techniques.

Fields of application: All the same applications as the standard aquatherm blue pipe® SDR 11 MF RP, but for installations where the pipe is exposed to UV radiation.

Note: Because these parts are not stocked in large numbers, please contact Aquatherm for details about your order.



Pipe ^a		Diameter ^b	Wall thickness	Internal diameter	(d) total	Water capacity	Weight ^c	Weight w/ water
Part no.	Dimension (ND — OD)	d (in)	s (in)	d _i (in)	d _o (in)	gal/ft	lb/ft	lb/ft
2070758	½" — 20 mm SDR 7.4	0.79	0.11	0.57	0.87	0.013	0.14	0.25
2070760	¾" — 25 mm SDR 7.4	0.98	0.14	0.71	1.06	0.024	0.21	0.38
2072162	1" — 32 mm SDR 9	1.26	0.11	1.03	1.34	0.043	0.23	0.59
2072164	1 ¼" — 40 mm SDR 11	1.57	0.14	1.29	1.65	0.067	0.37	0.93
2072166	1 ½" — 50 mm SDR 11	1.97	0.18	1.61	2.05	0.105	0.55	1.43
2072168	2" — 63 mm SDR 11	2.48	0.23	2.03	2.56	0.167	0.84	2.24
2072170	2 ½" — 75 mm SDR 11	2.95	0.27	2.42	3.03	0.237	1.15	3.13
2072172	3" — 90 mm SDR 11	3.54	0.32	2.90	3.62	0.343	1.67	4.52
2072174	3 ½" — 110 mm SDR 11	4.33	0.39	3.54	4.41	0.512	2.48	6.74
2072176	4" — 125 mm SDR 11	4.92	0.45	4.02	5.00	0.661	3.14	8.62
2071180	6" — 160 mm SDR 11	6.30	0.57	5.16	6.38	1.082	5.05	14.1
2071184	8" — 200 mm SDR 11	7.87	0.72	6.46	7.95	1.692	7.67	21.8
2071188	10" — 250 mm SDR 11	9.84	0.89	8.07	9.92	2.646	11.9	34.0
2071192	12" — 315 mm SDR 11	12.4	1.13	10.2	12.5	4.201	18.0	53.0
2071194	14" — 355 mm SDR 11	14.0	1.27	11.4	14.1	5.335	30.0	67.3

^a Pipes come in standard 19 ft lengths (5.8 m).

^b To calculate dimensions of the pipe in millimeters, multiply the imperial inches measurement by 25.4.

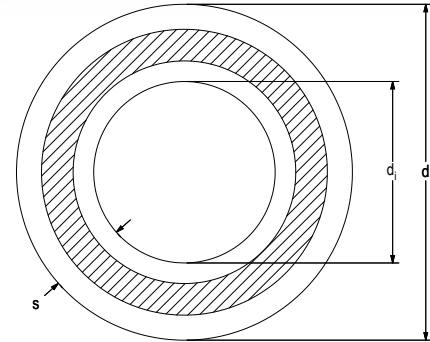
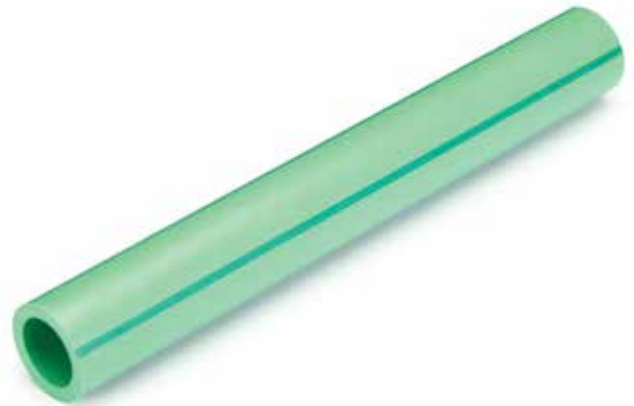
^c To calculate the weight of the pipe in kg/m, multiply the measurement by 1.5.

aquatherm green pipe® SDR 7.4 MF

Material: Fusiolen PP-R multi-layer, faser-composite

In accordance with:

- NSF 14, 51 & 61
- CSA-B137.11
- ICC AC 122
- ICC ESR 1613
- ASTM F2389
- CFIA #A508
- NFPA 13D



Appearance: Light green with dark green stripe.

NSF system certification: Including fittings, connection pieces, and connection techniques.

Fields of application: For high temperature, moderate pressure systems, particularly domestic hot water systems.

Pipe ^a		Diameter ^b	Wall thickness	Internal diameter	Water capacity	Weight ^c	Weight w/ water
Part no.	Dimension (ND — OD)	d (in)	s (in)	d _i (in)	gal/ft	lb/ft	lb/ft
0670708	½" — 20 mm	0.79	0.11	0.57	0.013	0.11	0.22
0670710	¾" — 25 mm	0.98	0.14	0.71	0.021	0.17	0.34
0670712	1" — 32 mm	1.26	0.17	0.91	0.034	0.27	0.56
0670714	1 ¼" — 40 mm	1.57	0.22	1.14	0.054	0.41	0.84
0670716	1 ½" — 50 mm	1.97	0.27	1.43	0.084	0.64	1.31
0670718	2" — 63 mm	2.48	0.34	1.80	0.134	1.00	2.11
0670720	2 ½" — 75 mm	2.95	0.41	2.14	0.189	1.42	3.00
0670722	3" — 90 mm	3.54	0.48	2.57	0.273	2.04	4.31
0670724	3 ½" — 110 mm	4.33	0.59	3.14	0.407	3.04	7.33
0670726	4" — 125 mm	4.92	0.67	3.57	0.526	4.17	8.55
0670730	6" — 160 mm	6.30	0.86	4.57	0.862	6.55	13.8
0670730x2 ^d	6" — 160 mm (Double Length)	6.30	0.86	4.57	0.862	6.55	13.8
0670734	8" — 200 mm	7.87	1.08	5.72	1.347	10.1	21.3
0670734x2 ^d	8" — 200 mm (Double Length)	7.87	1.08	5.72	1.347	10.1	21.3
0670738	10" — 250 mm	9.84	1.35	7.15	2.105	15.8	33.2
0670738x2 ^d	10" — 250 mm (Double Length)	9.84	1.35	7.15	2.105	15.8	33.2

^a Pipes come in standard 19 ft lengths (5.8 m).

^b To calculate dimensions of the pipe in millimeters, multiply the imperial inches measurement by 25.4.

^c To calculate the weight of the pipe in kg/m, multiply the measurement by 1.5.

^d Pipe comes in 38 ft lengths.

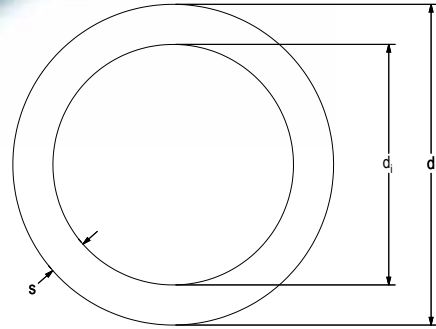
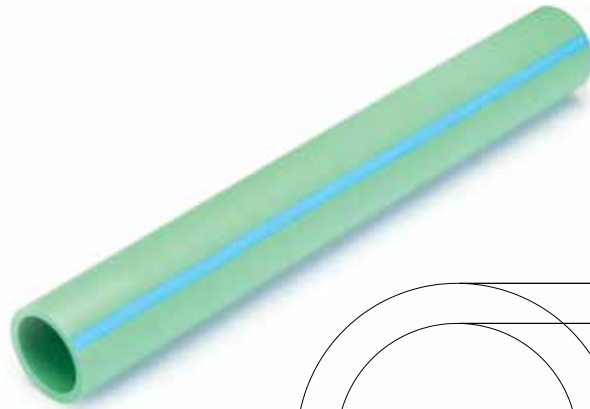
PRODUCT RANGE - PIPE

aquatherm green pipe® SDR 7.4/11 S

Material: Fusiolen PP-R

In accordance with:

- NSF-14
- NSF-51
- NSF-61
- CSA-B137.11
- ICC AC 122
- ICC ESR 1613
- ASTM F 2389
- CFIA #A508



Appearance: Light green with light blue stripe.

NSF system certification: Including fittings, connection pieces, and connection techniques.

Fields of application: Potable water, preferably domestic cold. Low pressure installations, such as well casings, food processing, and more.

Part no.	Pipe ^a Dimension (ND — OD)	Diameter ^b d (in)	Wall thickness s (in)	Internal diameter d _i (in)	Water capacity gal/ft	Weight ^c lb/ft	Weight w/ water lb/ft
0610808	½" — 20 mm SDR 7.4 (non-MF)	0.79	0.11	0.57	0.013	0.10	0.21
0610810	¾" — 25 mm SDR 7.4 (non-MF)	0.98	0.13	0.72	0.021	0.16	0.33
0610212	1" — 32 mm SDR 11	1.26	0.11	1.03	0.043	0.18	0.54
0610214	1 ¼" — 40 mm SDR 11	1.57	0.15	1.28	0.068	0.28	0.84
0610216	1 ½" — 50 mm SDR 11	1.97	0.18	1.61	0.106	0.43	1.31
0610218	2" — 63 mm SDR 11	2.48	0.23	2.02	0.168	0.68	2.08
0610220	2 ½" — 75 mm SDR 11	2.95	0.27	2.42	0.238	0.95	2.93
0610222	3" — 90 mm SDR 11	3.54	0.32	2.90	0.343	1.37	4.22
0610224	3 ½" — 110 mm SDR 11	4.33	0.39	3.54	0.512	2.11	6.37
0610226	4" — 125 mm SDR 11	4.92	0.45	4.02	0.661	2.64	8.12
0610226x2 ^e	4" — 125 mm SDR 11 (Double Length)	4.92	0.45	4.02	0.661	2.64	8.12
0610230	6" — 160 mm SDR 11	6.30	0.57	5.15	1.084	4.31	13.3
0610230x2 ^e	6" — 160 mm SDR 11 (Double Length)	6.30	0.57	5.15	1.084	4.31	13.3
0610234	8" — 200 mm SDR 11	7.87	0.72	6.44	1.693	6.71	20.9
0610234x2 ^e	8" — 200 mm SDR 11 (Double Length)	7.87	0.72	6.44	1.693	6.70	20.9
0610238	10" — 250 mm SDR 11	9.84	0.89	8.06	2.646	10.4	32.5
0610238x2 ^e	10" — 250 mm SDR 11 (Double Length)	9.84	0.89	8.06	2.646	10.4	32.5
0010242	12" — 315 mm SDR 11	12.4	1.13	10.2	4.201	17.3	52.3
0010242x2 ^e	12" — 315 mm SDR 11 (Double Length)	12.4	1.13	10.2	4.201	17.3	52.3
0010244	14" — 355 mm SDR 11	14.0	1.27	11.4	5.335	21.0	65.3
0010246 ^d	16" — 400 mm SDR 11	15.8	1.43	12.9	6.773	27.8	84.1
0010248 ^d	18" — 450 mm SDR 11	17.7	1.61	14.5	8.573	35.2	107
The following items are supplied in coils:							
0010308	½" — 20 mm SDR 11 (100m or 328' length coils)	0.79	0.07	0.64	0.017	0.07	0.21
0010310	¾" — 25 mm SDR 11 (100m or 328' length coils)	0.98	0.09	0.80	0.026	0.11	0.33
0010312	1" — 32 mm SDR 11 (50 m or 164' length coils)	1.26	0.11	1.03	0.043	0.17	0.53

^a Pipe comes in standard 19 ft lengths (5.8 m).

^e Pipe comes in 38 ft lengths.

^b To calculate dimensions of the pipe in millimeters, multiply the imperial inches measurement by 25.4.

^c To calculate the weight of the pipe in kg/m, multiply the measurement by 1.5.

^d Mechanically stabilized with multi-layer, fiber-composite (MF) technology in the center of the pipe.

aquatherm green pipe® SDR 7.4 MF UV

Material: Fusiolen PP-R multi-layer, fiber-composite

In accordance with:

- NSF-14
- NSF-51
- NSF-61
- CSA-B137.11
- ICC AC 122
- ICC ESR 1613
- ASTM F 2389
- CFIA #A508

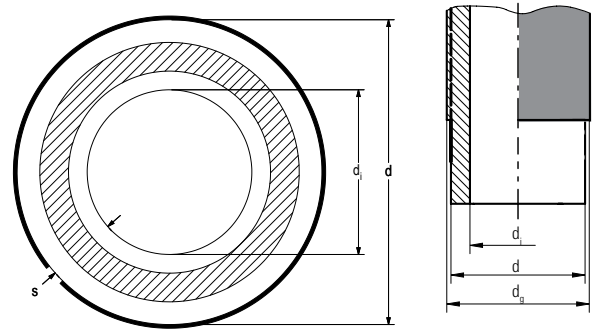


Appearance: Light green with black exterior.

NSF system certification: Including fittings, connection pieces and connection techniques.

Fields of application: All the same applications as the standard **aquatherm green pipe® SDR 7.4 MF**, but for installations where the pipe is exposed to UV radiation.

Note: Because these parts are not stocked in large numbers, please contact Aquatherm for details about your order. Pipe will not have NA listing marks on it, but can be special ordered with the marking.



Pipe ^a		Diameter ^b	Wall thickness	Internal diameter	(d) total	Water capacity	Weight ^c	Weight w/ water
Part no.	Dimension (ND — OD)	d (in)	s (in)	d _i (in)	d _o (in)	gal/ft	lb/ft	lb/ft
0070758	½" — 20 mm	0.79	0.11	14.4	0.87	0.013	0.14	0.25
0070760	¾" — 25 mm	0.98	0.14	18.0	1.06	0.021	0.21	0.38
0070762	1" — 32 mm	1.26	0.17	23.2	1.34	0.034	0.33	0.60
0070764	1 ¼" — 40 mm	1.57	0.22	29.0	1.65	0.054	0.49	0.92
0070766	1 ½" — 50 mm	1.97	0.27	36.2	2.05	0.084	0.74	1.41
0070768	2" — 63 mm	2.48	0.34	45.8	2.56	0.134	1.14	2.20
0070770	2 ½" — 75 mm	2.95	0.41	54.4	3.03	0.189	1.59	3.09
0070772	3" — 90 mm	3.54	0.48	65.4	3.62	0.273	2.28	4.46
0070774	3 ½" — 110 mm	4.33	0.59	79.8	4.45	0.407	3.42	6.66
0070776	4" — 125 mm	4.92	0.67	90.8	5.00	0.526	4.33	8.53
0070780	6" — 160 mm	6.30	0.86	116.2	6.38	0.826	7.00	13.9
0070784	8" — 200 mm	7.87	1.08	145.2	7.95	1.347	10.8	21.7
0070788	10" — 250 mm	9.84	1.35	181.6	9.92	2.105	16.8	34.0

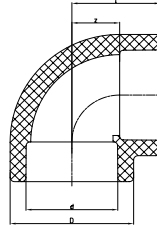
^a Pipes come in standard 19 ft lengths (5.8 m).

^b To calculate dimensions of the pipe in millimeters, multiply the imperial inches measurement by 25.4.

^c To calculate the weight of the pipe in kg/m, multiply the measurement by 1.5.

PRODUCT RANGE - 90(s)

aquatherm ELBOW 90° (MOLDED, SOCKET)

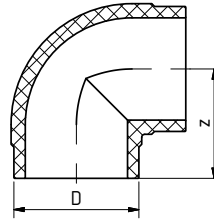


Part no.	Dimension (ND — OD)	d	z	l	D	Weight [lb]
		[in]	[in]	[in]	[in]	
0112108	½" — 20 mm	0.79	0.43	1.00	1.16	0.04
0112110	¾" — 25 mm	0.98	0.53	1.16	1.34	0.05
0112112	1" — 32 mm	1.26	0.67	1.38	1.69	0.09
0112114	1 ¼" — 40 mm	1.57	0.83	1.63	2.05	0.17
0112116	1 ½" — 50 mm	1.97	1.02	1.95	2.68	0.36
0112118	2" — 63 mm	2.48	1.28	2.36	3.31	0.65
0112120	2 ½" — 75 mm	2.95	1.52	2.70	3.94	0.98
0112122	3" — 90 mm	3.54	1.81	3.11	4.72	1.61
0112124	3 ½" — 110 mm	4.33	2.20	3.66	5.79	2.85
0112126	4" — 125 mm	4.92	3.01	4.59	6.57	4.42

aquatherm ELBOW 90° SR (SHORT RADIUS, MOLDED, BUTT-FUSION)

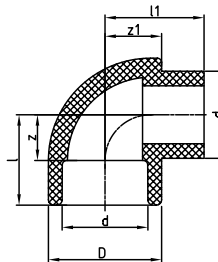
The length of some fittings may not accommodate all butt-fusion equipment.

NOTE: Verify the equipment to be used is compatible with the fittings when ordering.



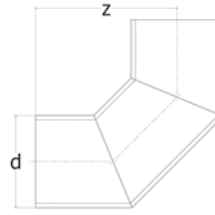
SDR	Part No.	Dimension (ND — OD)	D	z	Weight [lb]
			[in]	[in]	
17.6	2512130	6" — 160 mm	6.30	5.71	3.62
	2512134	8" — 200 mm	7.87	8.23	6.45
	2512138	10" — 250 mm	9.84	9.45	11.8
11	0112131	6" — 160 mm	6.30	5.71	5.65
	0112135	8" — 200 mm	7.87	8.23	9.26
	0112139	10" — 250 mm	9.84	9.45	16.9
9	0312130	6" — 160 mm	6.30	5.71	5.23
	0312134	8" — 200 mm	7.87	6.88	10.9
	0312138	10" — 250 mm	9.84	8.63	19.8
7.4	0112130	6" — 160 mm	6.30	5.71	5.65

aquatherm STREET 90° female/male



Part no.	Dimension (ND — OD)	d	z	l	D	l1	z1	Weight [lb]
		[in]	[in]	[in]	[in]	[in]	[in]	
0112308	½" — 20 mm	0.79	0.43	1.00	1.16	1.00	0.59	0.04
0112310	¾" — 25 mm	0.98	0.53	1.16	1.34	1.16	0.67	0.05
0112312	1" — 32 mm	1.26	0.67	1.38	1.69	1.54	0.85	0.10
0112314	1 ¼" — 40 mm	1.57	0.83	1.63	2.05	1.79	1.02	0.18

aquatherm blue pipe® ELBOW 90° SD (STANDARD DIMENSION, SEGMENTED, BUTT-FUSION)

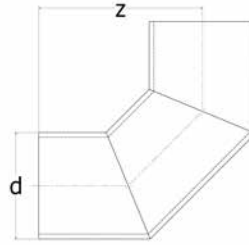


SDR	Part no.	Dimension (ND — OD)	d	z	Weight
			[in]	[in, +0.25/-0.0]	[lb]
17.6	7462130	6" — 160 mm	6.30	9.00	4.25
	7462134	8" — 200 mm	7.87	12.0	8.25
	7462138	10" — 250 mm	9.84	15.0	15.8
	7462142	12" — 315 mm	12.4	18.0	30.0
	7462144	14" — 355 mm	14.0	21.0	44.0
	7462146	16" — 400 mm	15.8	24.0	63.0
	7462148	18" — 450 mm	17.8	27.0	90.0
	7462150	20" — 500 mm	19.7	30.0	123
7462154	24" — 630 mm	24.8	36.0	233	
11	7562130	6" — 160 mm	6.30	9.00	6.25
	7562134	8" — 200 mm	7.87	12.0	12.5
	7562138	10" — 250 mm	9.84	15.0	24.3
	7562142	12" — 315 mm	12.4	18.0	46.0
	7562144	14" — 355 mm	14.0	21.0	67.0
	7562146	16" — 400 mm	15.8	24.0	97.0
	7562148	18" — 450 mm	17.7	27.0	138
9	7212130	6" — 160 mm	6.30	9.00	11.4
	7212134	8" — 200 mm	7.87	12.0	19.2
	7212138	10" — 250 mm	9.84	15.0	45.5
	7212142	12" — 315 mm	12.4	18.0	54.3
	7212144	14" — 355 mm	14.0	21.0	80.4

UV Coated fittings available upon request. Contact your Aquatherm Regional Sales Manager for pricing and availability.

PRODUCT RANGE - 90(s)

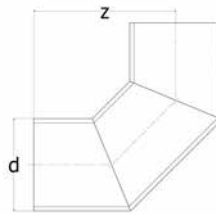
aquatherm green pipe® ELBOW 90° SD (STANDARD DIMENSION, SEGMENTED, BUTT-FUSION)



SDR	Part no.	Dimension (ND — OD)	d	z	Weight
			[in]	[in, +0.25/-0.0]	[lb]
11 Non- Faser	7112130	6" — 160 mm	6.30	9.00	6.00
	7112134	8" — 200 mm	7.87	12.0	12.3
	7112138	10" — 250 mm	9.84	15.0	23.8
	7112142	12" — 315 mm	12.4	18.0	44.0
	7112144	14" — 355 mm	14.0	21.0	65.0
	7112146 ^a	16" — 400 mm	15.8	24.0	94.0
	7112148 ^a	18" — 450 mm	17.7	27.0	133

^aMechanically stabilized with multi-layer, faser-composite (MF) technology in the center of the pipe wall.
UV Coated fittings available upon request. Contact your Aquatherm Regional Sales Manager for pricing and availability.

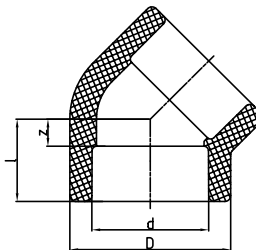
aquatherm green pipe® ELBOW 90° SD (STANDARD DIMENSION, SEGMENTED, BUTT-FUSION)



SDR	Part no.	Dimension (ND — OD)	d	z	Weight
			[in]	[in, +0.25/-0.0]	[lb]
7.4 Faser	7312130	6" — 160 mm	6.30	9.00	8.75
	7312134	8" — 200 mm	7.87	12.0	18.3
	7312138	10" — 250 mm	9.84	15.0	35.0

UV Coated fittings available upon request. Contact your Aquatherm Regional Sales Manager for pricing and availability.

aquatherm ELBOW 45° (MOLDED, SOCKET)

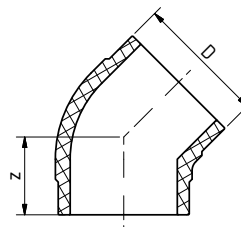


Part no.	Dimension (ND — OD)	d	z	l	D	Weight
		[in]	[in]	[in]	[in]	[lb]
0112508	½" — 20 mm	0.79	0.20	0.77	1.16	0.03
0112510	¾" — 25 mm	0.98	0.24	0.87	1.34	0.04
0112512	1" — 32 mm	1.26	0.30	1.00	1.69	0.08
0112514	1 ¼" — 40 mm	1.57	0.37	1.18	2.05	0.12
0112516	1 ½" — 50 mm	1.97	0.45	1.38	2.68	0.25
0112518	2" — 63 mm	2.48	0.55	1.63	3.31	0.50
0112520	2 ½" — 75 mm	2.95	0.65	1.83	3.94	0.77
0112522	3" — 90 mm	3.54	0.77	2.07	4.72	1.25
0112524	3 ½" — 110 mm	4.33	0.93	2.38	5.79	2.26
0112526	4" — 125 mm	4.92	1.06	2.64	6.57	2.93

aquatherm ELBOW 45° (MOLDED, BUTT-FUSION)

The length of some fittings may not accommodate all butt-fusion equipment.

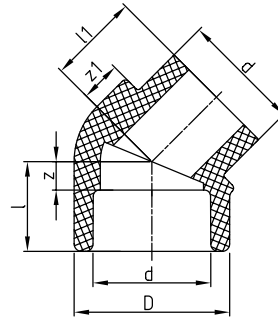
NOTE: Verify the equipment to be used is compatible with the fittings when ordering.



SDR	Part No.	Dimension (ND — OD)	D	z	Weight
			[in]	[in]	[lb]
17.6	2512530	6" — 160 mm	6.30	3.74	2.38
	2512534	8" — 200 mm	7.87	5.75	4.52
	2512538	10" — 250 mm	9.84	7.17	8.82
11	0112531	6" — 160 mm	6.30	3.74	3.07
	0112535	8" — 200 mm	7.87	5.75	6.64
	0112539	10" — 250 mm	9.84	7.17	13.0
9	0312530	6" — 160 mm	6.30	3.74	3.36
	0312534	8" — 200 mm	7.87	5.75	7.86
	0312538	10" — 250 mm	9.84	7.17	15.3
7.4	0112530	6" — 160 mm	6.30	3.74	4.20

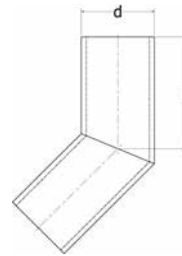
PRODUCT RANGE - 45(s) MOLDED

aquatherm STREET 45° female/male



Part no.	Dimension (ND — OD)	d	z	l	D	l1	z1	Weight
		[in]	[in]	[in]	[in]	[in]	[in]	[lb]
0112708	½" — 20 mm	0.79	0.20	0.77	1.16	0.77	0.35	0.03
0112710	¾" — 25 mm	0.98	0.24	0.87	1.34	0.87	0.33	0.04
0112712	1" — 32 mm	1.26	0.30	1.00	1.69	1.12	0.45	0.08
0112714	1 ¼" — 40 mm	1.57	0.37	1.18	2.05	1.20	0.53	0.13

aquatherm blue pipe® ELBOW 45° SD (SEGMENTED, BUTT-FUSION)



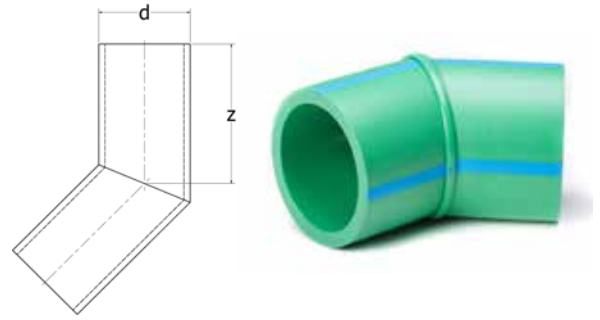
SDR	Part no.	Dimension (ND — OD)	d	z	Weight
			[in]	[in, +0.25/-0.0]	
17.6	7462530 ^a	6" — 160 mm	6.30	7.44	4.00
	7462534 ^a	8" — 200 mm	7.87	9.94	4.25
	7462538	10" — 250 mm	9.84	6.25	8.00
	7462542	12" — 315 mm	12.4	7.50	15.0
	7462544	14" — 355 mm	14.0	8.75	22.0
	7462546	16" — 400 mm	15.8	10.0	31.0
	7462548	18" — 450 mm	17.7	11.3	44.0
	7462550	20" — 500 mm	19.7	12.5	60.0
7462554	24" — 630 mm	24.8	15.0	114	
11	7562530 ^a	6" — 160 mm	6.30	7.44	6.00
	7562534 ^a	8" — 200 mm	7.87	9.94	6.25
	7562538	10" — 250 mm	9.84	6.25	12.0
	7562542	12" — 315 mm	12.4	7.50	22.0
	7562544	14" — 355 mm	14.0	8.75	33.0
	7562546	16" — 400 mm	15.8	10.0	48.0
	7562548	18" — 450 mm	17.7	11.3	67.0
9	7212530	6" — 160 mm	6.30	7.44	6.71
	7212534	8" — 200 mm	7.87	9.94	14.0
	7212538	10" — 250 mm	9.84	6.25	13.7
	7212542	12" — 315 mm	12.4	7.50	26.1
	7212544	14" — 355 mm	14.0	8.75	38.7

^aMade with the Z-value of the ANSI B16.9 3D fittings with a larger Z-value.

UV Coated fittings available upon request. Contact your Aquatherm Regional Sales Manager for pricing and availability.

PRODUCT RANGE - 45(s) SEGMENTED

aquatherm green pipe® ELBOW 45° (SEGMENTED, BUTT-FUSION)



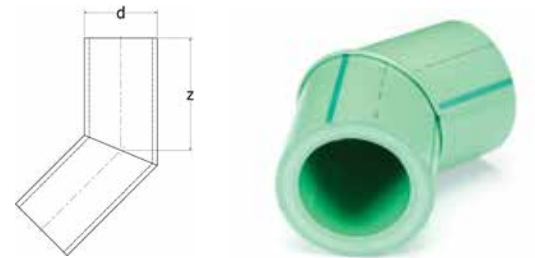
SDR	Part no.	Dimension (ND — OD)	d	z	Weight
			[in]	[in, +0.25/-0.0]	[lb]
11 Non- Faser	7112530 ^a	6" — 160 mm	6.30	7.44	5.75
	7112534 ^a	8" — 200 mm	7.87	9.94	6.00
	7112538	10" — 250 mm	9.84	6.25	11.3
	7112542	12" — 315 mm	12.4	7.50	21.0
	7112544	14" — 355 mm	14.0	8.75	32.0
	7112546 ^b	16" — 400 mm	15.8	10.0	46.0
	7112548 ^b	18" — 450 mm	17.7	11.3	65.0

^aMade with the Z-value of the ANSI B16.9 3D fittings with a larger Z-value.

^bMechanically stabilized with multi-layer, faser-composite (MF) technology in the center of the pipe wall.

UV Coated fittings available upon request. Contact your Aquatherm Regional Sales Manager for pricing and availability.

aquatherm green pipe® ELBOW 45° (SEGMENTED, BUTT-FUSION)



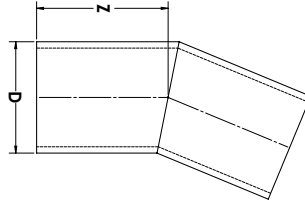
SDR	Part no.	Dimension (ND — OD)	d	z	Weight
			[in]	[in, +0.25/-0.0]	[lb]
7.4 Faser	7312530 ^a	6" — 160 mm	6.30	7.44	8.50
	7312534 ^a	8" — 200 mm	7.87	9.94	9.00
	7312538	10" — 250 mm	9.84	6.25	17.0

^aMade with the Z-value of the ANSI B16.9 3D fittings with a larger Z-value.

UV Coated fittings available upon request. Contact your Aquatherm Regional Sales Manager for pricing and availability.

PRODUCT RANGE - 22.5(s)

aquatherm blue pipe® ELBOW 22.5° SD (STANDARD DIMENSION, SEGMENTED, BUTT-FUSION)

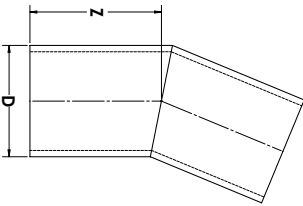


SDR	Part no.	Dimension (ND — OD)	D	z	Weight
			[in]	[in, +0.25/-0.0]	[lb]
17.6	7412230 ^a	6" — 160 mm	6.30	7.44	4.00
	7412234 ^a	8" — 200 mm	7.87	9.94	4.25
	7412238	10" — 250 mm	9.84	6.25	8.00
	7412242	12" — 315 mm	12.4	7.50	15.0
	7412244	14" — 355 mm	14.0	8.75	22.0
	7412246	16" — 400 mm	15.8	10.0	31.0
	7412248	18" — 450 mm	17.8	11.3	44.0
	7412250	20" — 500 mm	19.7	12.5	60.0
	7412254	24" — 630 mm	24.8	15.0	114
11	7512230 ^a	6" — 160 mm	6.30	7.44	6.00
	7512234 ^a	8" — 200 mm	7.87	9.94	6.25
	7512238	10" — 250 mm	9.84	6.25	12.0
	7512242	12" — 315 mm	12.4	7.50	22.0
	7512244	14" — 355 mm	14.0	8.75	33.0
	7512246	16" — 400 mm	15.8	10.0	48.0
	7512248	18" — 450 mm	17.7	11.3	67.0
9	7212230 ^a	6" — 160 mm	6.30	7.44	6.71
	7212234 ^a	8" — 200 mm	7.87	9.94	14.0
	7212238	10" — 250 mm	9.84	6.25	13.7
	7212242	12" — 315 mm	12.4	7.50	26.1
	7212244	14" — 355 mm	14.0	8.75	38.7

^aMade with the Z-value of the ANSI B16.9 3D fittings with a larger Z-value.

UV Coated fittings available upon request. Contact your Aquatherm Regional Sales Manager for pricing and availability.

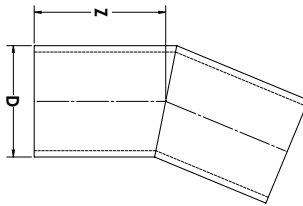
aquatherm green pipe® ELBOW 22.5° SD (STANDARD DIMENSION, SEGMENTED, BUTT-FUSION)



SDR	Part no.	Dimension (ND — OD)	D	z	Weight
			[in]	[in, +0.25/-0.0]	[lb]
11 Non-Faser	7112230 ^a	6" — 160 mm	6.30	7.44	5.75
	7112234 ^a	8" — 200 mm	7.87	9.94	6.00
	7112238	10" — 250 mm	9.84	6.25	11.3
	7112242	12" — 315 mm	12.4	7.50	21.0
	7112244	14" — 355 mm	14.0	8.75	32.0
	7112246	16" — 400 mm	15.8	10.0	46.0
	7112248	18" — 450 mm	17.7	11.3	65.0

^aMade with the Z-value of the ANSI B16.9 3D fittings with a larger Z-value.
 UV Coated fittings available upon request. Contact your Aquatherm Regional Sales Manager for pricing and availability.

aquatherm green pipe® ELBOW 22.5° SD (STANDARD DIMENSION, SEGMENTED, BUTT-FUSION)



SDR	Part no.	Dimension (ND — OD)	D	z	Weight
			[in]	[in, +0.25/-0.0]	[lb]
7.4 Faser	7312230 ^a	6" — 160 mm	6.30	7.44	8.50
	7312234 ^a	8" — 200 mm	7.87	9.94	9.00
	7312238	10" — 250 mm	9.84	6.25	17.0

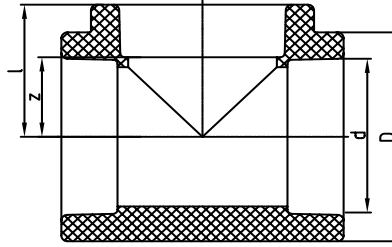
^aMade with the Z-value of the ANSI B16.9 3D fittings with a larger Z-value.
 UV Coated fittings available upon request. Contact your Aquatherm Regional Sales Manager for pricing and availability.

PRODUCT RANGE - TEE(S) (MOLDED)

aquatherm TEE (MOLDED, SOCKET)

The length of some fittings may not fit all bench-top fusion equipment.

NOTE: Verify the equipment to be used is compatible with the fittings when ordering.

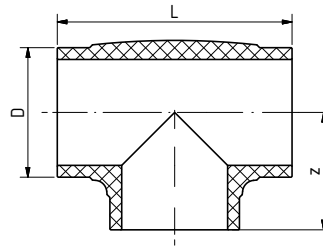


Part no.	Dimension (ND — OD)	d	z	l	D	Weight
		[in]	[in]	[in]	[in]	[lb]
0113108	½" — 20 mm	0.79	0.43	1.00	1.16	0.05
0113110	¾" — 25 mm	0.98	0.59	1.22	1.34	0.07
0113112	1" — 32 mm	1.26	0.67	1.38	1.69	0.12
0113114	1 ¼" — 40 mm	1.57	0.79	1.59	2.05	0.22
0113116	1 ½" — 50 mm	1.97	1.02	1.95	2.68	0.39
0113118	2" — 63 mm	2.48	1.28	2.36	3.31	0.81
0113120	2 ½" — 75 mm	2.95	1.52	2.70	3.94	1.19
0113122	3" — 90 mm	3.54	1.81	3.11	4.72	2.03
0113124	3 ½" — 110 mm	4.33	2.20	3.66	5.79	3.52
0113126	4" — 125 mm	4.92	3.01	4.59	6.57	5.89

aquatherm TEE (MOLDED, BUTT-FUSION)

The length of some fittings may not accommodate all butt-fusion equipment.

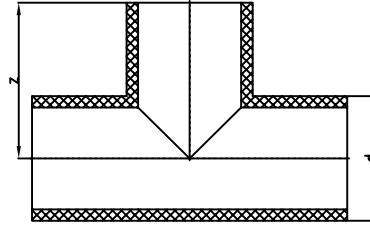
NOTE: Verify the equipment to be used is compatible with the fittings when ordering.



SDR	Part No.	Dimension (ND — OD)	d	z	L	Weight
			[in]	[in]	[in]	[lb]
17.6	2513130	6" — 160 mm	6.30	5.71	11.4	5.18
	2513134	8" — 200 mm	7.87	8.07	16.1	8.87
	2513138	10" — 250 mm	9.84	9.57	19.1	17.2
11	0113131	6" — 160 mm	6.30	5.71	11.4	5.18
	0113135	8" — 200 mm	7.87	8.07	16.1	12.6
	0113139	10" — 250 mm	9.84	9.57	19.1	24.1
9	0313130	6" — 160 mm	6.30	5.71	11.4	7.25
	0313134	8" — 200 mm	7.87	8.07	16.1	14.8
	0313138	10" — 250 mm	9.84	9.57	19.1	28.1
7.4	0113130	6" — 160 mm	6.30	5.71	11.4	7.94

PRODUCT RANGE - TEE(S) SEGMENTED

aquatherm blue pipe® TEE (SEGMENTED, BUTT-FUSION)

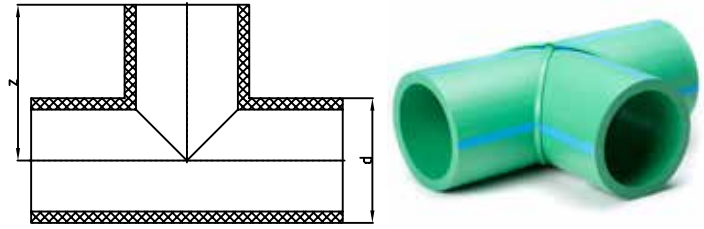


SDR	Part No.	Dimension (ND — OD)	d	z	Weight lb/pc
			[in]	[in, +0.25/-0.0]	
17.6	7563130	6" — 160 mm	6.30	9.06	6.25
	7563134	8" — 200 mm	7.87	11.8	10.3
	7563138	10" — 250 mm	9.84	14.8	25.0
	7563142	12" — 315 mm	12.4	18.1	48.0
	7563144	14" — 355 mm	14.0	18.9	63.0
	7563146	16" — 400 mm	15.8	19.7	82.0
	7563148	18" — 450 mm	17.7	20.7	108
	7563150	20" — 500 mm	19.7	23.6	152
	7563154	24" — 630 mm	24.1	26.2	265
11	2663131	6" — 160 mm	6.30	9.06	9.05
	2663135	8" — 200 mm	7.87	11.8	15.8
	2663139	10" — 250 mm	9.84	14.8	38.5
	2063143	12" — 315 mm	12.4	18.1	74.0
	2063145	14" — 355 mm	14.0	18.9	97.0
	2063147	16" — 400 mm	15.8	19.7	127
	2063149	18" — 450 mm	17.7	20.7	166
9	0813130	6" — 160 mm	6.30	9.06	10.8
	0813134	8" — 200 mm	7.87	11.8	24.9
	0813138	10" — 250 mm	9.84	14.8	48.7
	0813142	12" — 315 mm	12.4	18.1	94.6
	0813144	14" — 355 mm	14.0	18.9	125.4

UV Coated fittings available upon request. Contact your Aquatherm Regional Sales Manager for pricing and availability.

PRODUCT RANGE - TEE(S) SEGMENTED

aquatherm green pipe® TEE (SEGMENTED, BUTT-FUSION)

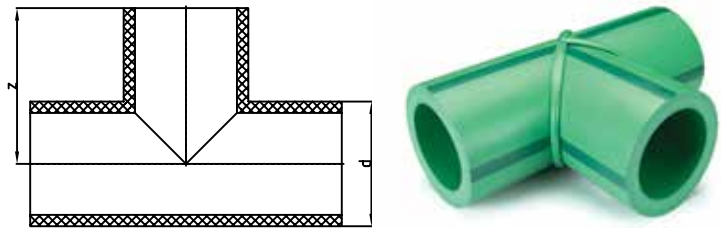


SDR	Part no.	Dimension (ND — OD)	d	z	Weight
			[in]	[in, +0.25/-0.0]	[lb]
11 Non- Faser	7113131	6" — 160 mm	6.30	9.06	8.63
	7113135	8" — 200 mm	7.87	11.8	15.0
	7113139	10" — 250 mm	9.84	14.8	36.5
	7113143	12" — 315 mm	12.4	18.1	71.0
	7113145	14" — 355 mm	14.0	18.9	93.0
	7113147 ^a	16" — 400 mm	15.8	19.7	122
	7113149 ^a	18" — 450 mm	17.7	20.7	159

^a Mechanically stabilized with multi-layer, faser-composite (MF) technology in the center of the pipe.

UV Coated fittings available upon request. Contact your Aquatherm Regional Sales Manager for pricing and availability.

aquatherm green pipe® TEE (SEGMENTED, BUTT-FUSION)

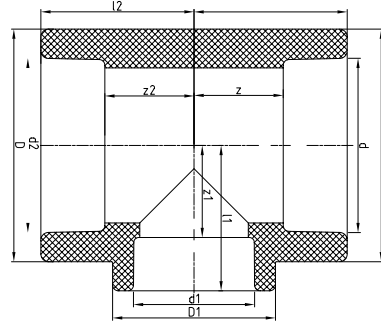


SDR	Part no.	Dimension (ND — OD)	d	z	Weight
			[in]	[in, +0.25/-0.0]	[lb]
7.4 Faser	7113130	6" — 160 mm	6.30	9.06	13.1
	7113134	8" — 200 mm	7.87	11.8	22.5
	7113138	10" — 250 mm	9.84	14.8	55.5

UV Coated fittings available upon request. Contact your Aquatherm Regional Sales Manager for pricing and availability.

aquatherm REDUCING TEE (MOLDED, SOCKET) (inlet, outlet, branch)

The length of some fittings may not fit all bench-top fusion equipment.



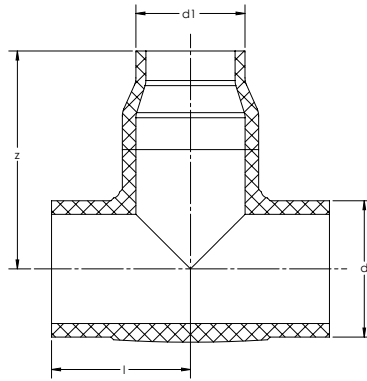
Part no.	Dimension (ND — OD)	d	d1	d2	l	l1	l2	z	z1	z2	D	D1	Weight
		[in]	[in]	[in]	[in]	[in]	[in]	[in]	[in]	[in]	[in]	[in]	[lb]
0113511	½" x ½" x ¾" — 20 x 20 x 25 mm	0.79	0.98	0.79	1.22	1.20	1.22	0.65	0.57	0.65	1.34	1.34	0.09
0113520	¾" x ½" x ½" — 25 x 20 x 20 mm	0.98	0.79	0.79	1.22	1.20	1.22	0.65	0.63	0.65	1.34	1.34	0.08
0113522	¾" x ¾" x ½" — 25 x 25 x 20 mm	0.98	0.79	0.98	1.22	1.20	1.22	0.65	0.63	0.65	1.34	1.34	0.08
0113532	1" x ½" x ½" — 32 x 20 x 20 mm	1.26	0.79	0.79	1.44	1.46	1.44	0.74	0.89	0.74	1.69	1.69	0.17
0113534	1" x 1" x ½" — 32 x 32 x 20 mm	1.26	0.79	1.26	1.38	1.22	1.38	0.67	0.65	0.67	1.69	1.16	0.12
0113538	1" x ¾" x ¾" — 32 x 25 x 25 mm	1.26	0.98	0.98	1.38	1.36	1.38	0.67	0.73	0.67	1.69	1.69	0.15
0113540	1" x 1" x ¾" — 32 x 32 x 25 mm	1.26	0.98	1.26	1.38	1.36	1.38	0.67	0.73	0.67	1.69	1.69	0.11
0113542	1 ¼" x 1 ¼" x ½" — 40 x 40 x 20 mm	1.57	0.79	1.57	1.63	1.42	1.63	0.83	0.85	0.83	2.05	1.34	0.20
0113544	1 ¼" x 1 ¼" x ¾" — 40 x 40 x 25 mm	1.57	0.98	1.57	1.63	1.42	1.63	0.83	0.79	0.83	2.05	1.34	0.20
0113546	1 ¼" x 1 ¼" x 1" — 40 x 40 x 32 mm	1.57	1.26	1.57	1.65	1.59	1.65	0.85	0.89	0.85	2.05	2.05	0.20
0113547	1 ½" x 1 ½" x ½" — 50 x 50 x 20 mm	1.97	0.79	1.97	1.95	1.59	1.95	1.02	1.02	1.02	2.68	1.16	0.36
0113548	1 ½" x 1 ½" x ¾" — 50 x 50 x 25 mm	1.97	0.98	1.97	1.95	1.75	1.95	1.02	1.12	1.02	2.68	1.69	0.35
0113550	1 ½" x 1 ½" x 1" — 50 x 50 x 32 mm	1.97	1.26	1.97	1.95	1.75	1.95	1.02	1.04	1.02	2.68	1.69	0.35
0113551	1 ½" x 1 ½" x 1 ¼" — 50 x 50 x 40 mm	1.97	1.57	1.97	1.95	1.95	1.95	1.02	1.14	1.02	2.68	2.68	0.36
0113552	2" x 2" x ½" — 63 x 63 x 20 mm	2.48	0.79	2.48	2.36	1.91	2.36	1.28	1.34	1.28	3.31	1.34	0.74
0113554	2" x 2" x ¾" — 63 x 63 x 25 mm	2.48	0.98	2.48	2.36	1.91	2.36	1.28	1.28	1.28	3.31	1.34	0.73
0113556	2" x 2" x 1" — 63 x 63 x 32 mm	2.48	1.26	2.48	2.36	2.11	2.36	1.28	1.40	1.28	3.31	2.05	0.75
0113558	2" x 2" x 1 ¼" — 63 x 63 x 40 mm	2.48	1.57	2.48	2.36	2.11	2.36	1.28	1.30	1.28	3.31	2.05	0.73
0113560	2" x 2" x 1 ½" — 63 x 63 x 50 mm	2.48	1.97	2.48	2.36	2.36	2.36	1.28	1.44	1.28	3.31	3.31	0.88
0113561	2 ½" x 2 ½" x ½" — 75 x 75 x 20 mm	2.95	0.79	2.95	2.70	2.15	2.70	1.52	1.57	1.52	3.94	1.34	1.10
0113562	2 ½" x 2 ½" x ¾" — 75 x 75 x 25 mm	2.95	0.98	2.95	2.70	2.15	2.70	1.52	1.52	1.52	3.94	1.34	1.10
0113564	2 ½" x 2 ½" x 1" — 75 x 75 x 32 mm	2.95	1.26	2.95	2.70	2.32	2.70	1.52	1.61	1.52	3.94	2.05	1.11
0113566	2 ½" x 2 ½" x 1 ¼" — 75 x 75 x 40 mm	2.95	1.57	2.95	2.70	2.32	2.70	1.52	1.52	1.52	3.94	2.05	1.10
0113568	2 ½" x 2 ½" x 1 ½" — 75 x 75 x 50 mm	2.95	1.97	2.95	2.70	2.60	2.70	1.52	1.67	1.52	3.94	3.31	1.21
0113570	2 ½" x 2 ½" x 2" — 75 x 75 x 63 mm	2.95	2.48	2.95	2.70	2.60	2.70	1.52	1.52	1.52	3.94	3.31	1.13
0113576	3" x 3" x 1" — 90 x 90 x 32 mm	3.54	1.26	3.54	3.11	2.56	3.11	1.81	1.85	1.81	4.72	2.05	1.94
0113578	3" x 3" x 1 ¼" — 90 x 90 x 40 mm	3.54	1.57	3.54	3.11	2.56	3.11	1.81	1.75	1.81	4.72	2.05	1.90
0113580	3" x 3" x 1 ½" — 90 x 90 x 50 mm	3.54	1.97	3.54	3.11	2.95	3.11	1.81	2.03	1.81	4.72	3.31	2.00
0113582	3" x 3" x 2" — 90 x 90 x 63 mm	3.54	2.48	3.54	3.11	2.95	3.11	1.81	1.87	1.81	4.72	3.31	1.93
0113584	3" x 3" x 2 ½" — 90 x 90 x 75 mm	3.54	2.95	3.54	3.11	3.19	3.11	1.81	2.01	1.81	4.72	4.72	2.18
0113586	3 ½" x 3 ½" x 2" — 110 x 110 x 63 mm	4.33	2.48	4.33	3.66	3.44	3.66	2.20	2.36	2.20	5.79	4.33	3.44
0113588	3 ½" x 3 ½" x 2 ½" — 110 x 110 x 75 mm	4.33	2.95	4.33	3.66	3.44	3.66	2.20	2.26	2.20	5.79	4.33	3.33
0113590	3 ½" x 3 ½" x 3" — 110 x 110 x 90 mm	4.33	3.54	4.33	3.66	3.50	3.66	2.20	2.20	2.20	5.79	4.72	3.41
0113592	4" x 4" x 2 ½" — 125 x 125 x 75 mm	4.92	2.95	4.92	4.59	4.19	4.59	3.01	3.01	3.01	6.57	3.94	5.35
0113594	4" x 4" x 3" — 125 x 125 x 90 mm	4.92	3.54	4.92	4.59	4.31	4.59	3.01	3.01	3.01	6.57	4.72	5.53
0113596	4" x 4" x 3 ½" — 125 x 125 x 110 mm	4.92	4.33	4.92	4.59	4.47	4.59	3.01	3.01	3.01	6.57	5.79	5.65

Please note that the descriptions above provide the dimensions following the North American norm (run x run x branch), but the packaging may follow the European norm (run x branch x run). The part number is the same regardless.

PRODUCT RANGE - REDUCING TEE(S)

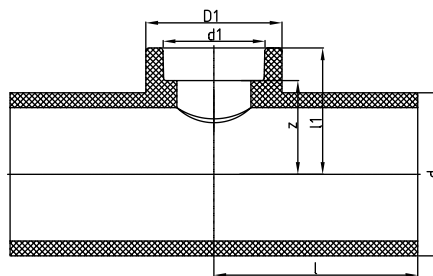
aquatherm REDUCING TEE (MOLDED, BUTT-FUSION)

NOTE: Verify the equipment to be used is compatible with the fittings when ordering.



SDR	Part No.	Dimension (ND — OD)	d	d1	z	l	Weight lb/pc
			[in]	[in]	[in]	[in]	
17.6	2523604	6" x 6" x 4" - 160 x 160 x 125 mm	6.30	4.92	8.37	5.71	6.23
	2523618	8" x 8" x 6" - 200 x 200 x 160 mm	7.87	6.30	12.6	8.07	11.7
	2523634	10" x 10" x 6" - 250 x 250 x 160 mm	9.84	6.30	15.6	9.57	22.2
	2523640	10" x 10" x 8" - 250 x 250 x 200 mm	9.84	7.87	15.6	9.57	22.6
11	2623605	6" x 6" x 4" - 160 x 160 x 125 mm	6.30	4.92	8.37	5.71	7.93
	2623619	8" x 8" x 6" - 200 x 200 x 160 mm	7.87	6.30	12.6	8.07	16.4
	2623635	10" x 10" x 6" - 250 x 250 x 160 mm	9.84	6.30	15.6	9.57	31.0
	2623641	10" x 10" x 8" - 250 x 250 x 200 mm	9.84	7.87	15.6	9.57	31.5
9	0823604	6" x 6" x 4" - 160 x 160 x 125 mm	6.30	4.92	8.37	5.71	9.04
	0823618	8" x 8" x 6" - 200 x 200 x 160 mm	7.87	6.30	12.6	8.07	19.0
	0823634	10" x 10" x 6" - 250 x 250 x 160 mm	9.84	6.30	15.6	9.57	35.9
	0823640	10" x 10" x 8" - 250 x 250 x 200 mm	9.84	7.87	15.6	9.57	36.6
7.4	0213604	6" x 6" x 4" - 160 x 160 x 125 mm	6.30	4.92	8.37	5.71	9.95

aquatherm blue pipe® REDUCING TEE (OUTLET) (inlet, outlet, branch)



SDR	Part no.	Dimension (ND — OD)	d	d1	l	l1	z	D1	Weight
			[in]	[in]	[in]	[in]	[in]	[in]	[lb]
17.6	2563600	6" x 6" x 2 1/2" — 160 x 160 x 75 mm	6.30	2.95	9.06	4.80	3.62	3.94	4.91
	2563602	6" x 6" x 3" — 160 x 160 x 90 mm	6.30	3.54	9.06	4.92	3.62	4.27	5.21
	2563608	8" x 8" x 2 1/2" — 200 x 200 x 75 mm	7.87	2.95	11.8	5.59	4.41	3.94	7.98
	2563610	8" x 8" x 3" — 200 x 200 x 90 mm	7.87	3.54	11.8	5.71	4.41	4.27	8.25
	2563612	8" x 8" x 3 1/2" — 200 x 200 x 110 mm	7.87	4.33	11.8	5.87	4.41	5.79	8.77
	2563614	8" x 8" x 4" — 200 x 200 x 125 mm	7.87	4.92	11.8	6.10	4.53	6.57	9.41
	2563624	10" x 10" x 2 1/2" — 250 x 250 x 75 mm	9.84	2.95	14.8	6.57	5.39	3.94	18.0
	2563626	10" x 10" x 3" — 250 x 250 x 90 mm	9.84	3.54	14.8	6.69	5.39	4.27	18.3
	2563628	10" x 10" x 3 1/2" — 250 x 250 x 110 mm	9.84	4.33	14.8	6.85	5.39	5.79	18.8
	2563630	10" x 10" x 4" — 250 x 250 x 125 mm	9.84	4.92	14.8	7.09	5.51	6.57	19.8
	2563651	12" x 12" x 4" — 315 x 315 x 125 mm	12.4	4.92	18.1	8.39	6.81	6.57	38.7
	2563653 ^a	12" x 12" x 6" — 315 x 315 x 160 mm	12.4	-	18.1	9.37	-	6.30	36.8
	2563663	14" x 14" x 4" — 355 x 355 x 125 mm	14.0	4.92	18.9	9.17	7.60	6.57	47.4
	2563665 ^a	14" x 14" x 6" — 355 x 355 x 160 mm	14.0	-	18.9	10.2	-	6.30	47.4
	2563667 ^a	14" x 14" x 8" — 355 x 355 x 200 mm	14.0	-	18.9	10.5	-	7.87	48.3
	2563676	16" x 16" x 4" — 400 x 400 x 125 mm	15.8	4.92	19.7	10.0	8.46	6.57	61.1
	2563678 ^a	16" x 16" x 6" — 400 x 400 x 160 mm	15.8	-	19.7	11.0	-	6.30	65.5
	2563680 ^a	16" x 16" x 8" — 400 x 400 x 200 mm	15.8	-	19.7	11.0	-	7.87	65.5
	2563682 ^a	16" x 16" x 10" — 400 x 400 x 250 mm	15.8	-	19.7	11.0	-	9.84	63.9
	2563690	18" x 18" x 4" — 450 x 450 x 125 mm	17.7	4.92	20.7	11.0	9.45	6.57	80.4
	2563692 ^a	18" x 18" x 6" — 450 x 450 x 160 mm	17.7	-	20.7	12.0	-	6.30	81.6
	2563694 ^a	18" x 18" x 8" — 450 x 450 x 200 mm	17.7	-	20.7	12.0	-	7.87	81.6
	2563696 ^a	18" x 18" x 10" — 450 x 450 x 250 mm	17.7	-	20.7	12.0	-	9.84	81.6
	2563698 ^a	18" x 18" x 12" — 450 x 450 x 315 mm	17.7	-	20.7	12.4	-	12.4	81.6
	2563804	20" x 20" x 4" — 500 x 500 x 125 mm	19.7	4.92	23.6	12.0	10.4	6.57	113
	2563806 ^a	20" x 20" x 6" — 500 x 500 x 160 mm	19.7	-	23.6	13.0	-	6.30	118
	2563808 ^a	20" x 20" x 8" — 500 x 500 x 200 mm	19.7	-	23.6	13.0	-	7.87	118
	2563810 ^a	20" x 20" x 10" — 500 x 500 x 250 mm	19.7	-	23.6	13.0	-	9.84	118
	2563812 ^a	20" x 20" x 12" — 500 x 500 x 315 mm	19.7	-	23.6	13.3	-	12.4	119
	2563839	24" x 24" x 4" — 630 x 630 x 125 mm	24.8	4.92	26.2	14.6	13.0	6.57	197
2563841 ^a	24" x 24" x 6" — 630 x 630 x 160 mm	24.8	-	26.2	15.7	-	6.30	202	
2563843 ^a	24" x 24" x 8" — 630 x 630 x 200 mm	24.8	-	26.2	15.7	-	7.87	202	
2563845 ^a	24" x 24" x 10" — 630 x 630 x 250 mm	24.8	-	26.2	15.7	-	9.84	202	
2563847 ^a	24" x 24" x 12" — 630 x 630 x 315 mm	24.8	-	26.2	16.1	-	12.4	204	

^aBranch outlet has a butt-fusion connection.

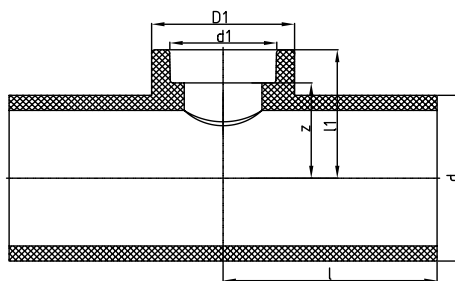
PRODUCT RANGE - REDUCING TEE(s)

aquatherm blue pipe® REDUCING TEE (OUTLET) (continued)

SDR	Part no.	Dimension (ND — OD)	d	d1	l	l1	z	D1	Weight
			[in]	[in]	[in]	[in]	[in]	[in]	[lb]
11	2663601	6" x 6" x 2 1/2" — 160 x 160 x 75 mm	6.30	2.95	9.06	4.80	3.62	3.94	7.33
	2663603	6" x 6" x 3" — 160 x 160 x 90 mm	6.30	3.54	9.06	4.92	3.62	4.72	11.4
	2663609	8" x 8" x 2 1/2" — 200 x 200 x 75 mm	7.87	2.95	11.8	5.59	4.41	3.94	12.0
	2663611	8" x 8" x 3" — 200 x 200 x 90 mm	7.87	3.54	11.8	5.71	4.41	4.72	12.3
	2663613	8" x 8" x 3 1/2" — 200 x 200 x 110 mm	7.87	4.33	11.8	5.87	4.41	5.79	12.8
	2663615	8" x 8" x 4" — 200 x 200 x 125 mm	7.87	4.92	11.8	6.10	4.53	6.57	13.5
	2663625	10" x 10" x 2 1/2" — 250 x 250 x 75 mm	9.84	2.95	14.8	6.57	5.39	3.94	27.4
	2663627	10" x 10" x 3" — 250 x 250 x 90 mm	9.84	3.54	14.8	6.69	5.39	4.72	27.4
	2663629	10" x 10" x 3 1/2" — 250 x 250 x 110 mm	9.84	4.33	14.8	6.85	5.39	5.79	28.1
	2663631	10" x 10" x 4" — 250 x 250 x 125 mm	9.84	4.92	14.8	7.09	5.51	6.57	28.7
	2063651	12" x 12" x 4" — 315 x 315 x 125 mm	12.4	4.92	18.1	8.39	6.81	6.57	55.1
	2063653 ^a	12" x 12" x 6" — 315 x 315 x 160 mm	12.4	-	18.1	9.37	-	6.30	55.2
	2063663	14" x 14" x 4" — 355 x 355 x 125 mm	14.0	4.92	18.9	9.17	7.60	6.57	71.7
	2063665 ^a	14" x 14" x 6" — 355 x 355 x 160 mm	14.0	-	18.9	10.2	-	6.30	71.7
	2063667 ^a	14" x 14" x 8" — 355 x 355 x 200 mm	14.0	-	18.9	10.5	-	7.87	66.6
	2063676	16" x 16" x 4" — 400 x 400 x 125 mm	15.8	4.92	19.7	10.0	8.46	6.57	92.8
	2063678 ^a	16" x 16" x 6" — 400 x 400 x 160 mm	15.8	-	19.7	10.1	-	6.30	97.2
	2063680 ^a	16" x 16" x 8" — 400 x 400 x 200 mm	15.8	-	19.7	11.0	-	7.87	97.2
	2063682 ^a	16" x 16" x 10" — 400 x 400 x 250 mm	15.8	-	19.7	11.0	-	9.84	101
	2063690	18" x 18" x 4" — 450 x 450 x 125 mm	17.7	4.92	20.7	11.0	9.45	6.57	123
2063692 ^a	18" x 18" x 6" — 450 x 450 x 160 mm	17.7	-	20.7	12.0	-	6.30	128	
2063694 ^a	18" x 18" x 8" — 450 x 450 x 200 mm	17.7	-	20.7	12.0	-	7.87	128	
2063696 ^a	18" x 18" x 10" — 450 x 450 x 250 mm	17.7	-	20.7	12.0	-	9.84	128	
2063698 ^a	18" x 18" x 12" — 450 x 450 x 315 mm	17.7	-	20.7	12.4	-	12.4	129	
9	0813600	6" x 6" x 2 1/2" — 160 x 160 x 75 mm	6.30	2.95	9.06	4.80	3.62	3.94	8.69
	0813602	6" x 6" x 3" — 160 x 160 x 90 mm	6.30	3.54	9.06	4.92	3.62	4.27	8.96
	0813608	8" x 8" x 2 1/2" — 200 x 200 x 75 mm	7.87	2.95	11.8	5.59	4.41	3.94	17.1
	0813610	8" x 8" x 3" — 200 x 200 x 90 mm	7.87	3.54	11.8	5.71	4.41	4.27	17.4
	0813612	8" x 8" x 3 1/2" — 200 x 200 x 110 mm	7.87	4.33	11.8	5.87	4.41	5.79	18.0
	0813614	8" x 8" x 4" — 200 x 200 x 125 mm	7.87	4.92	11.8	6.10	4.53	6.57	18.0
	0813624	10" x 10" x 2 1/2" — 250 x 250 x 75 mm	9.84	2.95	14.8	6.57	5.39	3.94	32.9
	0813626	10" x 10" x 3" — 250 x 250 x 90 mm	9.84	3.54	14.8	6.69	5.39	4.27	33.2
	0813628	10" x 10" x 3 1/2" — 250 x 250 x 110 mm	9.84	4.33	14.8	6.85	5.39	5.79	33.8
	0813630	10" x 10" x 4" — 250 x 250 x 125 mm	9.84	4.92	14.8	7.09	5.51	6.57	34.2
	0813904	12" x 12" x 4" — 315 x 315 x 125 mm	12.4	4.92	18.1	8.39	6.81	6.57	63.4
	0813906 ^a	12" x 12" x 6" — 315 x 315 x 160 mm	12.4	-	18.1	9.37	-	6.30	65.0
	0813916	14" x 14" x 4" — 355 x 355 x 125 mm	14.0	4.92	18.9	9.17	7.60	6.57	85.3
	0813918 ^a	14" x 14" x 6" — 355 x 355 x 160 mm	14.0	-	18.9	10.2	-	6.30	85.4
	0813920 ^a	14" x 14" x 8" — 355 x 355 x 200 mm	14.0	-	18.9	10.5	-	7.87	85.5

^aBranch outlet has a butt-fusion connection.

aquatherm green pipe® REDUCING TEE (OUTLET) (inlet, outlet, branch)



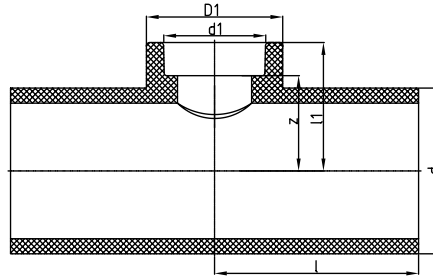
SDR	Part no.	Dimension (ND — OD)	d	d1	l	l1	z	D1	Weight
			[in]	[in]	[in]	[in]	[in]	[in]	[lb]
11 Non- Faser	0113601	6" x 6" x 2 1/2" — 160 x 160 x 75 mm	6.30	2.95	9.06	4.80	3.62	3.94	6.92
	0113603	6" x 6" x 3" — 160 x 160 x 90 mm	6.30	3.54	9.06	4.92	3.62	4.27	7.00
	0113609	8" x 8" x 2 1/2" — 200 x 200 x 75 mm	7.87	2.95	11.8	5.59	4.41	3.94	11.7
	0113611	8" x 8" x 3" — 200 x 200 x 90 mm	7.87	3.54	11.8	5.71	4.41	4.27	11.4
	0113613	8" x 8" x 3 1/2" — 200 x 200 x 110 mm	7.87	4.33	11.8	5.87	4.41	5.79	12.5
	0113615	8" x 8" x 4" — 200 x 200 x 125 mm	7.87	4.92	11.8	6.10	4.53	6.57	12.8
	0113625	10" x 10" x 2 1/2" — 250 x 250 x 75 mm	9.84	2.95	14.8	6.57	5.39	3.94	26.5
	0113627	10" x 10" x 3" — 250 x 250 x 90 mm	9.84	3.54	14.8	6.69	5.39	4.27	26.5
	0113629	10" x 10" x 3 1/2" — 250 x 250 x 110 mm	9.84	4.33	14.8	6.85	5.39	5.79	28.7
	0113631	10" x 10" x 4" — 250 x 250 x 125 mm	9.84	4.92	14.8	7.09	5.51	6.57	26.5
	0113651	12" x 12" x 4" — 315 x 315 x 125 mm	12.4	4.92	18.1	8.39	6.81	6.57	55.5
	0113653 ^a	12" x 12" x 6" — 315 x 315 x 160 mm	12.4	-	18.1	9.37	-	6.30	54.8
	0113663	14" x 14" x 4" — 355 x 355 x 125 mm	14.0	4.92	18.9	9.17	7.60	6.57	68.0
	0113665 ^{ab}	14" x 14" x 6" — 355 x 355 x 160 mm	14.0	-	18.9	10.2	-	6.30	68.1
	0113667 ^a	14" x 14" x 8" — 355 x 355 x 200 mm	14.0	-	18.9	10.5	-	7.87	69.8
	0113676 ^b	16" x 16" x 4" — 400 x 400 x 125 mm	15.8	4.92	19.7	10.0	8.46	6.57	93.0
	0113678 ^{ab}	16" x 16" x 6" — 400 x 400 x 160 mm	15.8	-	19.7	11.0	-	6.30	97.3
	0113680 ^{ab}	16" x 16" x 8" — 400 x 400 x 200 mm	15.8	-	19.7	11.0	-	7.87	97.3
	0113682 ^{ab}	16" x 16" x 10" — 400 x 400 x 250 mm	15.8	-	19.7	11.0	-	9.84	97.3
	0113690	18" x 18" x 4" — 450 x 450 x 125 mm	17.7	4.92	20.7	11.0	9.45	6.57	123
0113692 ^{ab}	18" x 18" x 6" — 450 x 450 x 160 mm	17.7	-	20.7	12.0	-	6.30	128	
0113694 ^{ab}	18" x 18" x 8" — 450 x 450 x 200 mm	17.7	-	20.7	12.0	-	7.87	128	
0113696 ^{ab}	18" x 18" x 10" — 450 x 450 x 250 mm	17.7	-	20.7	12.0	-	9.84	128	
0113698 ^{ab}	18" x 18" x 12" — 450 x 450 x 315 mm	17.7	-	20.7	12.4	-	12.4	130	

^aBranch outlet has a butt-fusion connection.

^bMechanically stabilized with multi-layer, faser-composite (MF) technology in the center of the pipe.

PRODUCT RANGE - REDUCING TEE(S)

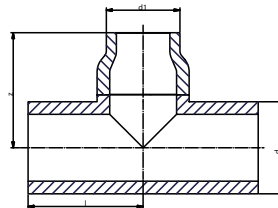
aquatherm green pipe® REDUCING TEE (OUTLET) (inlet, outlet, branch)



SDR	Part no.	Dimension (ND — OD)	d	d1	l	l1	z	D1	Weight
			[in]	[in]	[in]	[in]	[in]	[in]	[lb]
7.4 Faser	0113600	6" x 6" x 2 1/2" — 160 x 160 x 75 mm	6.30	2.95	9.06	4.80	3.62	3.94	9.73
	0113602	6" x 6" x 3" — 160 x 160 x 90 mm	6.30	3.54	9.06	4.92	3.62	4.27	9.95
	0113608	8" x 8" x 2 1/2" — 200 x 200 x 75 mm	7.87	2.95	11.8	5.59	4.41	3.94	15.7
	0113610	8" x 8" x 3" — 200 x 200 x 90 mm	7.87	3.54	11.8	5.71	4.41	4.27	16.6
	0113612	8" x 8" x 3 1/2" — 200 x 200 x 110 mm	7.87	4.33	11.8	5.87	4.41	5.79	16.2
	0113614	8" x 8" x 4" — 200 x 200 x 125 mm	7.87	4.92	11.8	6.10	4.53	6.57	16.9
	0113624	10" x 10" x 2 1/2" — 250 x 250 x 75 mm	9.84	2.95	14.8	6.57	5.39	3.94	36.6
	0113626	10" x 10" x 3" — 250 x 250 x 90 mm	9.84	3.54	14.8	6.69	5.39	4.27	37.0
	0113628	10" x 10" x 3 1/2" — 250 x 250 x 110 mm	9.84	4.33	14.8	6.85	5.39	5.79	37.0
0113630	10" x 10" x 4" — 250 x 250 x 125 mm	9.84	4.92	14.8	7.09	5.51	6.57	37.5	

PRODUCT RANGE - REDUCING TEES(s)

aquatherm blue pipe® REDUCING TEE (REDUCER) (inlet, outlet, branch)

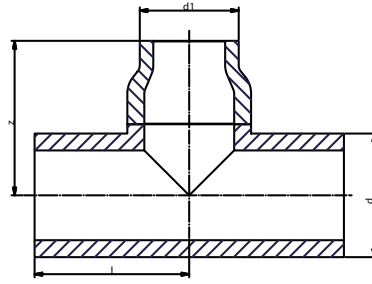


SDR	Part no.	Dimension (ND — OD)	d	d1	l	z	Weight
			[in]	[in]	[in]	[in, +0.25/-0.0]	[lb]
17.6	2563604 ^a	6" x 6" x 4" — 160 x 160 x 125 mm	6.30	4.92	9.06	9.06	6.39
	2563618	8" x 8" x 6" — 200 x 200 x 160 mm	7.87	6.30	11.8	12.0	12.2
	2563634	10" x 10" x 6" — 250 x 250 x 160 mm	9.84	6.30	14.8	14.8	22.7
	2563640	10" x 10" x 8" — 250 x 250 x 200 mm	9.84	7.87	14.8	14.8	22.3
	2563655	12" x 12" x 8" — 315 x 315 x 200 mm	12.4	7.87	18.1	18.1	48.0
	2563657	12" x 12" x 10" — 315 x 315 x 250 mm	12.4	9.84	18.1	18.1	44.5
	2563669	14" x 14" x 10" — 355 x 355 x 250 mm	14.0	9.84	18.9	18.9	54.6
	2563671	14" x 14" x 12" — 355 x 355 x 315 mm	14.0	12.4	18.9	18.9	58.6
	2563684	16" x 16" x 12" — 400 x 400 x 315 mm	15.8	12.4	19.7	19.7	69.3
	2563685	16" x 16" x 14" — 400 x 400 x 355 mm	15.8	14.0	19.7	19.7	68.6
	2563699	18" x 18" x 14" — 450 x 450 x 355 mm	17.7	14.0	20.7	20.7	94.6
	2563700	18" x 18" x 16" — 450 x 450 x 400 mm	17.7	15.8	20.7	20.7	93.8
	2563813	20" x 20" x 14" — 500 x 500 x 355 mm	19.7	14.0	23.6	23.6	137
	2563814	20" x 20" x 16" — 500 x 500 x 400 mm	19.7	15.8	23.6	23.6	137
	2563815	20" x 20" x 18" — 500 x 500 x 450 mm	19.7	17.7	23.6	23.6	135
	2563849	24" x 24" x 16" — 630 x 630 x 400 mm	24.8	15.8	26.2	26.2	246
2563850	24" x 24" x 18" — 630 x 630 x 450 mm	24.8	17.7	26.2	26.2	247	
2563851	24" x 24" x 20" — 630 x 630 x 500 mm	24.8	19.7	26.2	26.2	242	
11	2663605 ^a	6" x 6" x 4" — 160 x 160 x 125 mm	6.30	4.92	9.06	9.06	9.12
	2663619	8" x 8" x 6" — 200 x 200 x 160 mm	7.87	6.30	11.8	12.0	18.0
	2663635	10" x 10" x 6" — 250 x 250 x 160 mm	9.84	6.30	14.8	14.8	35.1
	2663641	10" x 10" x 8" — 250 x 250 x 200 mm	9.84	7.87	14.8	14.8	35.2
	2663655	12" x 12" x 8" — 315 x 315 x 200 mm	12.4	7.87	18.1	18.1	66.3
	2663657	12" x 12" x 10" — 315 x 315 x 250 mm	12.4	9.84	18.1	18.1	66.7
	2663669	14" x 14" x 10" — 355 x 355 x 250 mm	14.0	9.84	18.9	18.9	83.9
	2663671	14" x 14" x 12" — 355 x 355 x 315 mm	14.0	12.4	18.9	18.9	90.3
	2663684	16" x 16" x 12" — 400 x 400 x 315 mm	15.8	12.4	19.7	19.7	108
	2663685	16" x 16" x 14" — 400 x 400 x 355 mm	15.8	14.0	19.7	19.7	107
	2663699	18" x 18" x 14" — 450 x 450 x 355 mm	17.7	14.0	20.7	20.7	146
	2663700	18" x 18" x 16" — 450 x 450 x 400 mm	17.7	15.8	20.7	20.7	146
9	0813604 ^a	6" x 6" x 4" — 160 x 160 x 125 mm	6.30	4.92	9.06	9.06	12.6
	0813618	8" x 8" x 6" — 200 x 200 x 160 mm	7.87	6.30	11.8	11.8	24.7
	0813634	10" x 10" x 6" — 250 x 250 x 160 mm	9.84	6.30	14.8	14.8	47.6
	0813640	10" x 10" x 8" — 250 x 250 x 200 mm	9.84	7.87	14.8	14.8	48.3
	0813908	12" x 12" x 8" — 315 x 315 x 200 mm	12.4	7.87	18.1	18.1	93.1
	0813910	12" x 12" x 10" — 315 x 315 x 250 mm	12.4	9.84	18.1	18.1	94.6
	0813922	14" x 14" x 10" — 355 x 355 x 250 mm	14.0	9.84	18.9	18.9	122.8
	0813924	14" x 14" x 12" — 355 x 355 x 315 mm	14.0	12.4	18.9	18.9	122.2

^a 4" branch is socket fusion. If needed, branch can come with a 1 ft extension to be used for butt-fusion.

PRODUCT RANGE - REDUCING TEE(S)

aquatherm green pipe® REDUCING TEE (REDUCER) (inlet, outlet, branch)

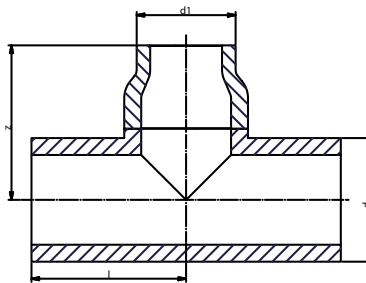


SDR	Part no.	Dimension (ND — OD)	d	d1	l	z	Weight
			[in]	[in]	[in]	[in, +0.25/-0.0]	[lb]
11 Non- Faser	0113605 ^a	6" x 6" x 4" — 160 x 160 x 125 mm	6.30	4.92	9.06	9.06	8.76
	0113619	8" x 8" x 6" — 200 x 200 x 160 mm	7.87	6.30	11.8	11.8	17.3
	0113635	10" x 10" x 6" — 250 x 250 x 160 mm	9.84	6.30	14.8	14.8	33.4
	0113641	10" x 10" x 8" — 250 x 250 x 200 mm	9.84	7.87	14.8	14.8	33.6
	0113655	12" x 12" x 8" — 315 x 315 x 200 mm	12.4	7.87	18.1	18.1	66.3
	0113657	12" x 12" x 10" — 315 x 315 x 250 mm	12.4	9.84	18.1	18.1	66.7
	0113669	14" x 14" x 10" — 355 x 355 x 250 mm	14.0	9.84	18.9	18.9	79.9
	0113671	14" x 14" x 12" — 355 x 355 x 315 mm	14.0	12.4	18.9	18.9	85.9
	0113684 ^b	16" x 16" x 12" — 400 x 400 x 315 mm	15.8	12.4	19.7	19.7	108
	0113685 ^b	16" x 16" x 14" — 400 x 400 x 355 mm	15.8	14.0	19.7	19.7	107
	0113699 ^b	18" x 18" x 14" — 450 x 450 x 355 mm	17.7	14.0	20.7	20.7	146
0113700 ^b	18" x 18" x 16" — 450 x 450 x 400 mm	17.7	15.8	20.7	20.7	146	

^a 4" branch is socket fusion. If needed, branch can come with 1 ft extension to be used for butt-fusion.

^b Mechanically stabilized with multi-layer, faser-composite (MF) technology in the center of the pipe.

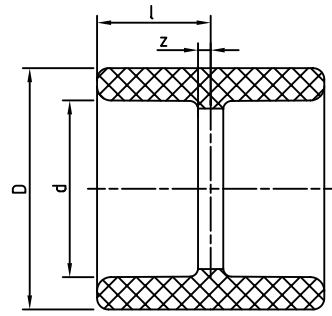
aquatherm green pipe® REDUCING TEE (REDUCER) (inlet, outlet, branch)



SDR	Part no.	Dimension (ND — OD)	d	d1	l	z	Weight
			[in]	[in]	[in]	[in, +0.25/-0.0]	[lb]
7.4 Faser	0113604 ^a	6" x 6" x 4" — 160 x 160 x 125 mm	6.30	4.92	9.06	9.06	13.0
	0113618	8" x 8" x 6" — 200 x 200 x 160 mm	7.87	6.30	11.8	11.8	25.5
	0113634	10" x 10" x 6" — 250 x 250 x 160 mm	9.84	6.30	14.8	14.8	49.4
	0113640	10" x 10" x 8" — 250 x 250 x 200 mm	9.84	7.87	14.8	14.8	50.4

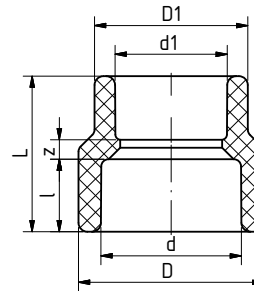
^a 4" branch is socket fusion. If needed, branch can come with 1 ft extension to be used for butt-fusion.

aquatherm COUPLING



Part no.	Dimension (ND — OD)	d	l	z	D	Weight
		[in]	[in]	[in]	[in]	[lb]
0111008	½" — 20 mm	0.79	0.63	0.06	1.16	0.02
0111010	¾" — 25 mm	0.98	0.69	0.06	1.34	0.03
0111012	1" — 32 mm	1.26	0.80	0.09	1.69	0.06
0111014	1¼" — 40 mm	1.57	0.94	0.13	2.05	0.10
0111016	1½" — 50 mm	1.97	1.04	0.12	2.68	0.19
0111018	2" — 63 mm	2.48	1.19	0.11	3.31	0.31
0111020	2½" — 75 mm	2.95	1.31	0.13	3.94	0.50
0111022	3" — 90 mm	3.54	1.43	0.13	4.72	0.76
0111024	3½" — 110 mm	4.33	1.61	0.16	5.79	1.28
0111026	4" — 125 mm	4.92	1.77	0.20	6.57	1.86

aquatherm REDUCING COUPLING female/female

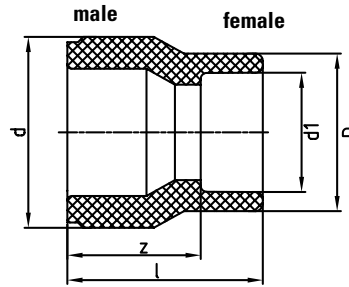


Part no.	Dimension (ND — OD)	d	d1	L	l	z	D	D1	Weight
		[in]	[in]	[in]	[in]	[in]	[in]	[in]	[lb]
0111222	1 ¼" to 1" — 40 to 32 mm	1.57	1.26	1.73	0.94	0.14	2.05	1.69	0.08
0111228	1 ½" to 1" — 50 to 32 mm	1.97	1.26	1.85	1.04	0.12	2.68	1.69	0.14
0111230	1 ½" to 1 ¼" — 50 to 40 mm	1.97	1.57	1.99	1.04	0.12	2.68	2.05	0.15
0111236	2" to 1 ¼" — 63 to 40 mm	2.48	1.57	2.13	1.20	0.12	3.31	2.05	0.25
0111238	2" to 1 ½" — 63 to 50 mm	2.48	1.97	2.20	1.18	0.10	3.31	2.68	0.27
0111240	2 ½" to 1 ½" — 75 to 50 mm	2.95	1.97	2.68	1.32	0.57	3.94	2.68	0.39
0111242	2 ½" to 2" — 75 to 63 mm	2.95	2.48	2.46	1.28	0.10	3.94	3.31	0.41
0111252	3" to 2" — 90 to 63 mm	3.54	2.48	2.62	1.44	0.14	4.72	3.31	0.61
0111253	3" to 2 ½" — 90 to 75 mm	3.54	2.95	2.72	1.42	0.12	4.72	3.94	0.65
0111257	3 ½" to 2 ½" — 110 to 75 mm	4.33	2.95	2.93	1.61	0.16	5.79	3.94	1.14
0111259	3 ½" to 3" — 110 to 90 mm	4.33	3.54	3.05	1.61	0.16	5.79	4.72	1.15
0111263	4" to 3" — 125 to 90 mm	4.92	3.54	3.27	1.81	0.24	6.57	4.72	1.65
0111265	4" to 3 ½" — 125 to 110 mm	4.92	4.33	3.43	1.81	0.24	6.57	5.79	1.60

PRODUCT RANGE - BUSHING

aquatherm BUSHING

Female to male for use with standard fitting. Female side is identified by a socket-fitting structure, male side is identified with a beveled edge. Appearance of bushing will vary by dimension.

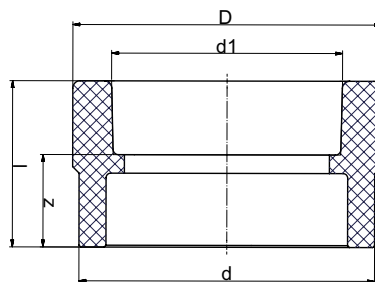


Part no.	Dimension (ND — OD) (M-F)	d	d1	l	z	D	Weight
		[in]	[in]	[in]	[in]	[in]	[lb]
0111112	¾ to ½" — 25 to 20 mm	1.16	0.79	1.52	0.94	0.98	0.03
0111114	1" to ½" — 32 to 20 mm	1.26	0.79	1.48	0.91	1.16	0.03
0111116	1" to ¾" — 32 to 25 mm	1.34	0.98	1.50	0.87	1.26	0.03
0111118	1 ¼" to ½" — 40 to 20 mm	1.57	0.79	1.77	1.20	1.16	0.05
0111120	1 ¼" to ¾" — 40 to 25 mm	1.57	0.98	1.97	1.34	1.34	0.06
0111122	1 ¼" to 1" — 40 to 32 mm	1.69	1.26	1.97	1.26	1.57	0.07
0111124	1 ½" to ½" — 50 to 20 mm	1.97	0.79	2.17	1.59	1.16	0.10
0111126	1 ½" to ¾" — 50 to 25 mm	1.97	0.98	2.17	1.54	1.34	0.10
0111128	1 ½" to 1" — 50 to 32 mm	1.97	1.26	2.13	1.42	1.69	0.11
0111130	1 ½" to 1 ¼" — 50 to 40 mm	2.05	1.57	2.07	1.26	1.97	0.12
0111131	2" to ½" — 63 to 20 mm	2.48	0.79	2.56	1.99	1.16	0.16
0111132	2" to ¾" — 63 to 25 mm	2.48	0.98	2.56	1.93	1.34	0.16
0111134	2" to 1" — 63 to 32 mm	2.48	1.26	2.44	1.73	1.69	0.18
0111136	2" to 1 ¼" — 63 to 40 mm	2.48	1.57	2.56	1.75	2.05	0.23
0111138	2" to 1 ½" — 63 to 50 mm	2.68	1.97	2.50	1.57	2.48	0.25
0111143	2 ½" to ½" — 75 to 20 mm	2.95	0.79	2.58	2.01	1.36	0.24
0111144	2 ½" to ¾" — 75 to 25 mm	2.95	0.98	2.58	1.95	1.36	0.24
0111145	2 ½" to 1" — 75 to 32 mm	2.95	1.26	2.74	2.03	2.05	0.31
0111139	2 ½" to 1 ¼" — 75 to 40 mm	2.95	1.57	2.74	1.93	2.05	0.29
0111140	2 ½" to 1 ½" — 75 to 50 mm	2.95	1.97	2.48	1.56	2.68	0.31
0111142	2 ½" to 2" — 75 to 63 mm	3.31	2.48	2.80	1.71	2.95	0.38
0111151	3" to 1 ½" — 90 to 50 mm	3.54	1.97	2.95	2.03	2.68	0.43
0111152	3" to 2" — 90 to 63 mm	3.54	2.48	3.07	1.99	3.31	0.49
0111153	3" to 2 ½" — 90 to 75 mm	3.94	2.95	3.21	2.03	3.54	0.60
0111155	3 ½" to 2" — 110 to 63 mm	4.33	2.48	3.39	2.30	3.31	0.79
0111157	3 ½" to 2 ½" — 110 to 75 mm	4.33	2.95	3.50	2.32	3.94	0.84
0111159	3 ½" to 3" — 110 to 90 mm	4.72	3.54	3.90	2.60	4.33	1.10
0111161	4" to 2 ½" — 125 to 75 mm	4.92	2.95	3.98	2.80	3.94	1.14
0111163	4" to 3" — 125 to 90 mm	4.92	3.54	3.90	2.60	4.72	1.30
0111165	4" to 3 ½" — 125 to 110 mm	5.79	4.33	4.41	2.95	4.92	1.83

aquatherm REDUCING COUPLING

Socket-fused on one side, butt-fused on the other. These fittings can be used with either the **aquatherm green pipe**® or **aquatherm blue pipe**® systems, but are all molded from the green **fusiolen**® material. The SDR of the fittings must match the SDR of the pipe. The length of some fittings may not accommodate all butt-fusion equipment.

NOTE: Verify the equipment to be used is compatible with the fittings when ordering.



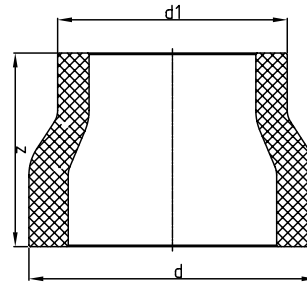
SDR	Part no.	Dimension (ND — OD)	d	d1	l	z	D	Weight
			[in]	[in]	[in]	[in]	[in]	[lb]
17.6	2511174	6" to 3 1/2" — 160 to 110 mm	6.30	4.33	3.54	2.09	5.79	1.36
	2511176	6" to 4" — 160 to 125 mm	6.30	4.92	3.54	1.97	6.57	1.39
	2511182	8" to 4" — 200 to 125 mm	7.87	4.92	5.31	3.74	6.57	2.33
11	0111175	6" to 3 1/2" — 160 to 110 mm	6.30	4.33	3.54	2.09	5.79	1.44
	0111177	6" to 4" — 160 to 125 mm	6.30	4.92	3.54	1.97	6.57	1.40
	0111183	8" to 4" — 200 to 125 mm	7.87	4.92	5.31	3.74	6.57	2.96
9	0311174	6" to 3 1/2" — 160 to 110 mm	6.30	4.33	3.43	1.97	5.79	1.61
	0311176	6" to 4" — 160 to 125 mm	6.30	4.84	3.54	1.97	6.57	1.91
	0311182	8" to 4" — 200 to 125 mm	7.87	4.84	5.31	3.74	6.57	3.53
7.4	0111174	6" to 3 1/2" — 160 to 110 mm	6.30	4.33	3.43	1.97	5.79	1.61
	0111176	6" to 4" — 160 to 125 mm	6.30	4.92	3.54	1.97	6.57	1.85
	0111182	8" to 4" — 200 to 125 mm	7.87	4.92	5.31	3.74	6.57	3.62

PRODUCT RANGE - BUTT-FUSION REDUCER

aquatherm BUTT-FUSION REDUCER

The butt fusion reducer can be used with either the **aquatherm green pipe**® or **aquatherm blue pipe**® systems, but are all molded from the green **fusiolen**® material. The SDR of the fittings must match the SDR of the pipe.

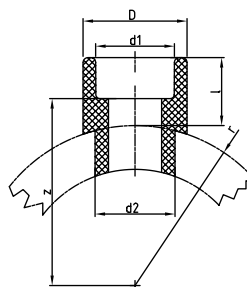
NOTE: The length of some fittings may not accommodate all butt-fusion equipment. Verify the equipment to be used is compatible with the fittings when ordering.



SDR	Part no.	Dimension (ND — OD)	d	d1	z	Weight
			[in]	[in]	[in]	[lb]
17.6	2511184	8" to 6" — 200 to 160 mm	7.87	6.30	5.31	2.23
	2511188	10" to 6" — 250 to 160 mm	9.84	6.30	6.79	3.31
	2511190	10" to 8" — 250 to 200 mm	9.84	7.87	6.79	2.95
	2511193	12" to 8" — 315 to 200 mm	12.4	7.87	6.79	9.13
	2511195	12" to 10" — 315 to 250 mm	12.4	9.84	8.86	7.54
	2511197	14" to 10" — 355 to 250 mm	14.0	9.84	9.65	6.83
	2511199	14" to 12" — 355 to 315 mm	14.0	12.4	6.30	6.85
	2511201	16" to 10" — 400 to 250 mm	15.8	9.84	10.2	9.88
	2511203	16" to 12" — 400 to 315 mm	15.8	12.4	10.2	7.42
	2511204	16" to 14" — 400 to 355 mm	15.8	14.0	10.2	6.72
	2511206	18" to 12" — 450 to 315 mm	17.7	12.4	9.06	10.8
	2511207	18" to 14" — 450 to 355 mm	17.7	14.0	9.06	10.3
	2511208	18" to 16" — 450 to 400 mm	17.7	15.8	9.06	9.45
	2511209	20" to 12" — 500 to 315 mm	19.7	12.4	9.06	17.9
	2511210	20" to 14" — 500 to 355 mm	19.7	14.0	9.06	14.3
	2511211	20" to 16" — 500 to 400 mm	19.7	15.8	9.06	14.8
	2511212	20" to 18" — 500 to 450 mm	19.7	17.7	9.06	12.1
	2511216	24" to 16" — 630 to 400 mm	24.8	15.8	7.56	33.3
2511217	24" to 18" — 630 to 450 mm	24.8	17.7	7.87	30.2	
2511218	24" to 20" — 630 to 500 mm	24.8	19.7	7.87	24.3	
11	0111185	8" to 6" — 200 to 160 mm	7.87	6.30	5.31	2.66
	0111189	10" to 6" — 250 to 160 mm	9.84	6.30	6.79	5.10
	0111191	10" to 8" — 250 to 200 mm	9.84	7.87	6.79	5.27
	0111193	12" to 8" — 315 to 200 mm	12.4	7.87	8.86	9.68
	0111195	12" to 10" — 315 to 250 mm	12.4	9.84	9.17	10.6
	0111197	14" to 10" — 355 to 250 mm	14.0	9.84	6.31	9.77
	0111199	14" to 12" — 355 to 315 mm	14.0	12.4	6.30	9.99
	0111201	16" to 10" — 400 to 250 mm	15.8	9.84	10.2	16.5
	0111203	16" to 12" — 400 to 315 mm	15.8	12.4	10.2	13.4
	0111204	16" to 14" — 400 to 355 mm	15.8	14.0	10.2	12.1
	0111206	18" to 12" — 450 to 315 mm	17.7	12.4	9.06	20.2
0111207	18" to 14" — 450 to 355 mm	17.7	14.0	9.06	16.7	
0111208	18" to 16" — 450 to 400 mm	17.7	15.8	9.06	16.7	
9	0311184	8" to 6" — 200 to 160 mm	7.87	6.30	5.31	3.50
	0311188	10" to 6" — 250 to 160 mm	9.84	6.30	6.79	6.39
	0311190	10" to 8" — 250 to 200 mm	9.84	7.87	6.79	7.07
	0311192	12" to 8" — 315 to 200 mm	12.4	7.87	8.86	14.0
	0311194	12" to 10" — 315 to 250 mm	12.4	9.84	8.86	15.5
	0311196	14" to 10" — 355 to 250 mm	14.0	9.84	6.69	12.4
	0311198	14" to 12" — 355 to 315 mm	14.0	12.4	6.30	10.9
7.4	0111184	8" to 6" — 200 to 160 mm	7.87	6.30	5.31	3.46
	0111188	10" to 6" — 250 to 160 mm	9.84	6.30	6.79	6.35
	0111190	10" to 8" — 250 to 200 mm	9.84	7.87	6.79	7.17

aquatherm FUSION OUTLET (SOCKET)

The necessary fusion outlet heads are listed on page 59 (part no. 0050614 - 0050744).
Fusion outlet fittings are rated at SDR 6. Allowances should be made for connection to other SDRs.



Part no.	Dimension pipe x outlet (ND — OD)	r	d1	d2	l	z	D	Weight
		[in]	[in]	[in]	[in]	[in]	[in]	[lb]
0115156	1 ¼" x ½" — 40 x 20 mm	0.79	0.79	0.98	1.06	1.28	1.16	0.03
0115158	1 ¼" x ¾" — 40 x 25 mm	0.79	0.98	0.98	1.12	1.28	1.34	0.04
0115160	1 ½" x ½" — 50 x 20 mm	0.99	0.79	0.98	1.08	1.50	1.16	0.04
0115162	1 ½" x ¾" — 50 x 25 mm	0.99	0.98	0.98	1.12	1.48	1.34	0.04
0115164	2 x ½" — 63 x 20 mm	1.24	0.79	0.98	1.08	1.75	1.16	0.04
0115166	2" x ¾" — 63 x 25 mm	1.24	0.98	0.98	1.12	1.73	1.34	0.04
0115168	2" x 1" — 63 x 32 mm	1.24	1.26	1.26	1.18	1.71	1.69	0.06
0115170	2 ½" x ½" — 75 x 20 mm	1.48	0.79	0.98	1.08	1.99	1.16	0.04
0115172	2 ½" x ¾" — 75 x 25 mm	1.48	0.98	0.98	1.12	1.97	1.34	0.04
0115174	2 ½" x 1" — 75 x 32 mm	1.48	1.26	1.26	1.18	1.95	1.69	0.06
0115175	2 ½" x 1 ¼" — 75 x 40 mm	1.48	1.57	1.57	1.34	2.01	2.05	0.11
0115176	3" x ½" — 90 x 20 mm	1.77	0.79	0.98	1.08	2.28	1.16	0.04
0115178	3" x ¾" — 90 x 25 mm	1.77	0.98	0.98	1.12	2.26	1.34	0.04
0115180	3" x 1" — 90 x 32 mm	1.77	1.26	1.26	1.18	2.24	1.69	0.06
0115181	3" x 1 ¼" — 90 x 40 mm	1.77	1.57	1.57	1.34	2.30	2.05	0.11
0115182	3 ½" x ½" — 110 x 20 mm	2.17	0.79	0.98	1.08	2.68	1.16	0.04
0115184	3 ½" x ¾" — 110 x 25 mm	2.17	0.98	0.98	1.12	2.70	1.34	0.04
0115186	3 ½" x 1" — 110 x 32 mm	2.17	1.26	1.26	1.18	2.64	1.69	0.07
0115188	3 ½" x 1 ¼" — 110 x 40 mm	2.17	1.57	1.57	1.34	2.70	2.05	0.11
0115189	3 ½" x 1 ½" — 110 x 50 mm	2.17	1.97	1.97	1.34	2.58	2.68	0.20
0115190	4" x ½" — 125 x 20 mm	2.46	0.79	0.98	1.08	2.93	1.16	0.04
0115192	4" x ¾" — 125 x 25 mm	2.46	0.98	0.98	1.12	2.95	1.34	0.04
0115194	4" x 1" — 125 x 32 mm	2.46	1.26	1.26	1.18	2.93	1.69	0.06
0115196	4" x 1 ¼" — 125 x 40 mm	2.46	1.57	1.57	1.34	2.99	2.05	0.11
0115197	4" x 1 ½" — 125 x 50 mm	2.46	1.97	1.97	1.34	2.87	2.68	0.20
0115198	4" x 2" — 125 x 63 mm	2.46	2.48	2.48	1.50	2.87	3.31	0.33
0115206	6" x ½" — 160 x 20 mm	3.15	0.79	0.98	2.44	3.66	1.16	0.05
0115208	6" x ¾" — 160 x 25 mm	3.15	0.98	0.98	1.12	3.64	1.34	0.05
0115210	6" x 1" — 160 x 32 mm	3.15	1.26	1.26	1.18	3.62	1.69	0.07
0115212	6" x 1 ¼" — 160 x 40 mm	3.15	1.57	1.57	1.34	3.68	2.05	0.12
0115214	6" x 1 ½" — 160 x 50 mm	3.15	1.97	1.97	1.34	3.56	2.70	0.21
0115216	6" x 2" — 160 x 63 mm	3.15	2.48	2.48	1.50	3.56	3.31	0.34
0115218	6" x 2 ½" — 160 x 75 mm	3.15	2.95	2.95	1.65	3.62	3.94	0.52
0115220	6" x 3" — 160 x 90 mm	3.15	3.54	3.54	1.77	3.62	4.72	0.79
0115228	8" to 10" x ½" — 200 to 250 x 20 mm	3.94/4.92	0.79	0.98	1.08	4.45	1.16	0.04
0115229	8" to 10" x ¾" — 200 to 250 x 25 mm	3.94/4.92	0.98	0.98	1.12	4.43	1.34	0.05
0115230	8" to 10" x 1" — 200 to 250 x 32 mm	3.94/4.92	1.26	1.26	1.18	4.41	1.69	0.07
0115231	8" x 1 ¼" — 200 x 40 mm	3.94	1.57	1.57	1.34	4.47	2.05	0.11
0115232	8" x 1 ½" — 200 x 50 mm	3.94	1.97	1.97	1.34	4.35	2.68	0.19
0115233	8" x 2" — 200 x 63 mm	3.94	2.48	2.48	1.48	4.33	3.31	0.32

PRODUCT RANGE - FUSION OUTLETS

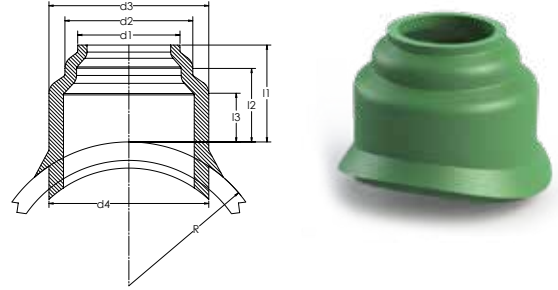
aquatherm green pipe® FUSION OUTLET (SOCKET) (continued)

Part no.	Dimension pipe x outlet (ND — OD)	r	d1	d2	l	z	D	Weight
		[in]	[in]	[in]	[in]	[in]	[in]	[lb]
0115234	8" x 2 1/2" — 200 x 75 mm	3.94	2.95	2.95	1.65	4.41	3.94	0.50
0115235	8" x 3" — 200 x 90 mm	3.94	3.54	3.54	1.77	4.41	4.72	0.78
0115236	8" x 3 1/2" — 200 x 110 mm	3.94	4.33	4.33	1.93	4.41	5.79	1.41
0115237	8" x 4" — 200 x 125 mm	3.94	4.92	4.92	2.17	4.53	6.57	1.90
0115251	10" x 1 1/4" — 250 x 40 mm	4.92	1.57	1.57	1.34	5.45	2.05	0.12
0115252	10" x 1 1/2" — 250 x 50 mm	4.92	1.97	1.97	1.34	5.33	2.68	0.20
0115253	10" x 2" — 250 x 63 mm	4.92	2.48	2.48	1.48	5.31	3.31	0.33
0115254	10" x 2 1/2" — 250 x 75 mm	4.92	2.95	2.95	1.65	5.39	3.94	0.49
0115255	10" x 3" — 250 x 90 mm	4.92	3.54	3.54	1.77	5.39	4.72	0.77
0115256	10" x 3 1/2" — 250 x 110 mm	4.92	4.33	4.33	1.93	5.39	5.79	1.33
0115257	10" x 4" — 250 x 125 mm	4.92	4.92	4.92	2.17	5.51	6.57	1.81
0115260	12" to 14" x 2" — 315 to 355 x 63 mm	6.20/7.00	2.48	2.48	1.48	6.59	3.31	0.34
0115261	12" to 14" x 2 1/2" — 315 to 355 x 75 mm	6.20/7.00	2.95	2.95	1.65	6.67	3.94	0.51
0115262	12" x 3" — 315 x 90 mm	6.20	3.54	3.54	1.77	6.67	4.27	0.80
0115263	12" x 3 1/2" — 315 x 110 mm	6.20	4.33	4.33	1.93	6.67	5.79	1.31
0115264	12" x 4" — 315 x 125 mm	6.20	4.92	4.92	2.17	6.79	6.57	1.83
0115268	14" x 3" — 355 x 90 mm	7.00	3.54	3.54	1.77	7.46	4.27	0.78
0115269	14" x 3 1/2" — 355 x 110 mm	7.00	4.33	4.33	1.93	7.46	5.79	1.29
0115270	14" x 4" — 355 x 125 mm	7.00	4.92	4.92	2.17	7.58	6.57	1.79
0115275	16" to 20" x 2 1/2" — 400 to 500 x 75 mm	7.90/9.85	2.95	2.95	1.65	8.35	3.94	0.48
0115277	16" to 18" x 3 1/2" — 400 to 450 x 110 mm	7.90/8.85	4.33	4.33	1.93	8.35	5.79	1.18
0115278	16" x 4" — 400 x 125 mm	7.90	4.92	4.92	2.17	8.46	6.57	1.53
0115288	16" to 20" x 3" — 400 to 500 x 90 mm	7.90/9.85	3.54	3.54	1.77	9.33	4.27	0.73
0115290	18" to 20" x 4" — 450 to 500 x 125 mm	8.85/9.85	4.92	4.92	2.17	9.45	6.57	1.48
0115300	16" to 24" x 2" — 400 to 630 x 63 mm	7.90/12.4	2.48	2.48	1.48	10.2	3.31	1.10
0115331	24" x 3 1/2" — 630 x 110 mm	12.4	4.33	4.33	1.93	12.9	5.79	1.25

aquatherm FUSION OUTLET (BUTT-FUSION, VARIABLE BRANCH)

Allowances should be made for connection to dissimilar SDRs.

NOTE: Verify the equipment to be used is compatible with the fittings when ordering.

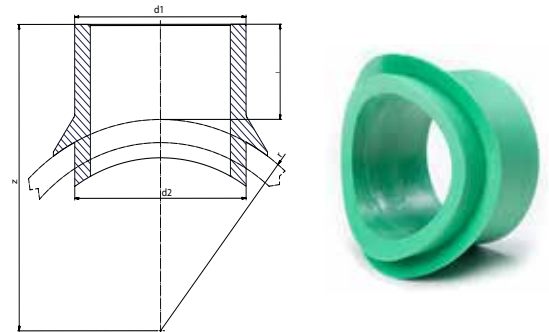


SDR	Part no.	Dimension pipe x outlet (ND — OD)	R	d1	d2	d3	d4	l1	l2	l3	Weight
			[in]	[in]	[in]	[in]	[in]	[in]	[in]	[in]	[in]
11	0115280 ^a	16" x 6" to 10" — 400 x 160 to 250 mm	7.90	6.30	7.87	9.84	9.84	5.97	4.53	3	6.46
	0115292 ^a	18" x 6" to 10" — 450 x 160 to 250 mm	8.86	6.30	7.87	9.84	9.84	5.97	4.53	3	6.61
	0115306 ^a	20" x 6" to 10" — 500 x 160 to 250 mm	9.84	6.30	7.87	9.84	9.84	5.97	4.53	3	6.34
	0115334 ^a	24" x 6" to 10" — 630 x 160 to 250 mm	12.4	6.30	7.87	9.84	9.84	5.97	4.53	3	6.68

^a Molded fitting designed to accommodate a range of branch sizes. If needed, the fitting can be cut and butt welded to the larger diameters in the given range.

aquatherm FUSION OUTLET (BUTT-FUSION, FIXED BRANCH)

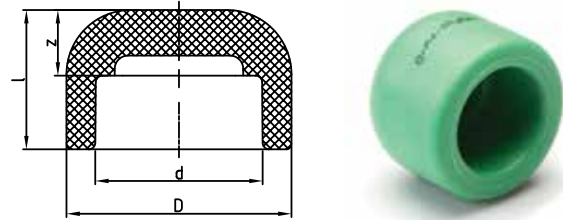
Allowances should be made for connection to dissimilar SDRs.



SDR	Part no.	Dimension pipe x outlet (ND — OD)	R	d1	d2	d3	d4	Weight
			[in]	[in]	[in]	[in]	[in]	[lb]
11	0115265	12" x 6" — 315 x 160 mm	6.30	6.30	6.30	3.15	9.45	1.91
	0115271	14" x 6" — 355 x 160 mm	7.00	6.30	6.30	3.15	10.2	1.91
	0115272	14" x 8" — 355 x 200 mm	7.00	7.86	7.86	3.54	10.5	3.53
	0115298	18" x 12" — 450 x 315 mm	8.85	12.4	12.4	3.54	12.4	8.52
	0115312	20" x 12" — 500 x 315 mm	9.85	12.4	12.4	3.43	13.3	8.13
	0115340	24" x 12" — 630 x 315 mm	12.4	12.4	12.4	2.66	16.1	8.53
9	0315265	12" x 6" — 315 x 160 mm	6.20	6.30	6.30	2.51	9.35	1.83
	0315271	14" x 6" — 355 x 160 mm	7.00	6.30	6.30	3.15	10.1	1.86

PRODUCT RANGE - END CAPS

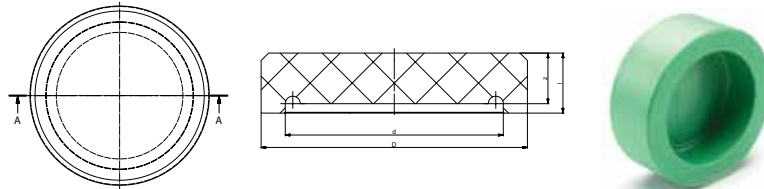
aquatherm END CAP (SOCKET)



Part no.	Dimension (ND — OD)	d	z	L	D	Weight
		[in]	[in]	[in]	[in]	[lb]
0114108	½" — 20 mm	0.79	0.37	0.94	1.16	0.02
0114110	¾" — 25 mm	0.98	0.31	0.94	1.34	0.02
0114112	1" — 32 mm	1.26	0.53	1.24	1.69	0.05
0114114	1 ¼" — 40 mm	1.57	0.69	1.50	2.05	0.09
0114116	1 ½" — 50 mm	1.97	0.83	1.75	2.68	0.18
0114118	2" — 63 mm	2.48	0.96	2.05	3.31	0.32
0114120	2 ½" — 75 mm	2.95	1.12	2.30	3.94	0.54
0114122	3" — 90 mm	3.54	1.36	2.26	4.72	0.80
0114124	3 ½" — 110 mm	4.33	1.10	2.56	5.79	1.40
0114126	4" — 125 mm	4.92	1.18	3.19	6.57	1.92

aquatherm END CAP (BUTT-FUSION)

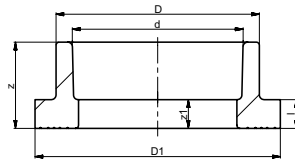
These fittings can be used with either the **aquatherm green pipe**® or **aquatherm blue pipe**® systems, but are all molded from the green **fusiole**® material. The SDR of the fittings must match the SDR of the pipe.



SDR	Part no.	Dimension (ND — OD)	D	d	l	z	Weight
			[in]	[in]	[in]	[in]	[lb]
17.6	2514130	6" — 160 mm	6.30	5.58	2.76	0.57	1.50
	2514134	8" — 200 mm	7.87	6.98	3.15	0.72	2.04
	2514138	10" — 250 mm	9.84	8.72	3.54	1.35	4.65
	2514142	12" — 315 mm	12.4	11.0	2.76	2.36	6.53
	2514144	14" — 355 mm	14.0	12.4	2.76	2.36	8.66
	2514146	16" — 400 mm	15.8	14.0	2.95	2.56	13.6
	2514148	18" — 450 mm	17.7	15.7	2.76	2.20	18.8
	2514150	20" — 500 mm	19.7	17.5	2.95	2.44	27.6
	2514154	24" — 630 mm	24.8	22.0	3.54	3.07	51.8
11	0114131	6" — 160 mm	6.30	5.15	2.76	0.55	1.67
	0114135	8" — 200 mm	7.87	6.44	3.15	0.72	2.36
	0114139	10" — 250 mm	9.84	8.06	3.54	0.89	4.38
	0114143	12" — 315 mm	12.4	10.1	2.76	2.07	13.7
	0114145	14" — 355 mm	14.0	11.4	3.15	2.66	20.9
	0114147	16" — 400 mm	15.8	12.9	2.76	2.36	18.8
	0114149	18" — 450 mm	17.7	14.5	3.15	2.76	26.9
9	0314130	6" — 160 mm	6.30	4.90	2.76	0.86	1.87
	0314134	8" — 200 mm	7.87	6.11	3.15	1.18	3.03
	0314138	10" — 250 mm	9.84	7.65	3.54	1.34	6.30
	0314142	12" — 315 mm	12.4	9.63	2.76	2.07	11.2
	0314144	14" — 355 mm	14.0	10.9	3.15	2.62	15.5
7.4	0114130	6" — 160 mm	6.30	4.60	2.76	1.16	1.93
	0114134	8" — 200 mm	7.87	5.75	3.15	1.08	3.08
	0114138	10" — 250 mm	9.84	7.18	3.54	1.48	5.58

aquatherm FLANGE ADAPTER (SOCKET)

Socket fused. Gasket not included. All sizes are compatible with butterfly valves. Minimum 1/8" thickness gasket recommended.



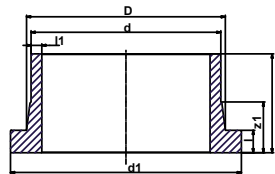
Part no.	Dimension (ND — OD)	d	z	z1	D	D1	l	Weight
		[in]	[in]	[in]	[in]	[in]	[in]	[lb]
0115512	1" — 32 mm	1.26	1.34	0.63	1.61	2.68	0.39	0.12
0115514	1 ¼" — 40 mm	1.57	1.40	0.59	1.97	3.07	0.43	0.16
0115516	1 ½" — 50 mm	1.97	1.56	0.63	2.40	3.46	0.47	0.16
0115518	2" — 63 mm	2.48	1.71	0.63	2.99	4.02	0.55	0.25
0115520	2 ½" — 75 mm	2.95	1.81	0.63	3.54	4.80	0.63	0.37
0115522	3" — 90 mm	3.54	1.97	0.67	4.25	5.43	0.67	0.58
0115524	3 ½" — 110 mm	4.32	2.19	0.73	5.16	6.22	0.73	0.73
0115526 ^a	4" — 125 mm	4.92	2.19	0.73	4.92	6.22	0.74	2.78

^a Part no. 0115526 may be butt-fused or paired with a coupling (part no. 0111026, sold separately). Butt-fusion to SDR 17.6 pipe requires machining of the flange adapter—contact Aquatherm for pricing and delivery.

aquatherm FLANGE ADAPTER (BUTT-FUSION)

Butt fused. Gasket not included. Minimum 1/8" thickness gasket recommended.

Note: The length of some fittings may not accommodate all butt-fusion equipment. Verify the equipment to be used is compatible with the fittings when ordering.



SDR	Part no. for butterfly valve	Dimension (ND — OD)	d	l	z	D	d1	l1	z1	Weight
			[in]	[in]	[in]	[in]	[in]	[in]	[in]	[in]
17.6	2915530BV	6" — 160 mm	6.30	1.06	3.90	6.89	8.35	0.36	2.17	1.81
	2915534BV	8" — 200 mm	7.87	1.26	5.12	9.13	10.6	0.45	2.83	4.08
	2915538BV	10" — 250 mm	9.84	1.38	5.12	11.2	12.6	0.48	2.95	6.03
	2915542BV	12" — 315 mm	12.4	0.98	6.61	13.2	14.6	0.70	3.23	9.92
	2915544BV	14" — 355 mm	14.0	1.18	7.24	14.7	16.9	0.79	3.58	14.3
	2915546BV	16" — 400 mm	15.8	1.30	7.68	16.8	19.0	0.89	3.82	18.7
	2915548BV	18" — 450 mm	17.7	1.81	5.59	18.3	20.8	1.00	3.23	26.5
	2915550BV	20" — 500 mm	19.7	1.81	5.43	20.9	23.0	1.12	3.07	21.6
2915554BV	24" — 630 mm	24.8	1.97	5.51	25.3	27.0	1.41	3.15	27.8	
11	0115531BV	6" — 160 mm	6.30	1.06	3.82	6.81	8.35	0.57	2.17	2.10
	0115531LBBV ^a	6" — 160 mm	6.30	1.06	15.8	6.81	8.35	0.57	2.17	6.41
	0115531LGBV ^a	6" — 160 mm	6.30	1.06	15.8	6.81	8.35	0.57	2.17	6.62
	0115535BV	8" — 200 mm	7.87	1.26	5.12	9.13	10.6	0.72	2.83	4.31
	0115539BV	10" — 250 mm	9.84	1.38	5.12	11.2	12.6	0.89	2.95	5.99
	0115543BV	12" — 315 mm	12.4	1.38	6.61	13.2	14.6	1.13	3.23	12.5
	0115545BV	14" — 355 mm	14.0	1.57	7.09	14.7	16.9	1.27	3.54	19.8
	0115547BV	16" — 400 mm	15.8	1.81	7.68	16.8	19.0	1.43	3.94	26.5
	0115549BV	18" — 450 mm	17.7	2.36	5.47	18.3	20.8	1.61	3.11	36.4
9	0315530BV	6" — 160 mm	6.30	0.98	3.66	6.89	8.35	0.70	2.09	2.53
	0315534BV	8" — 200 mm	7.87	1.26	5.12	9.13	10.6	0.88	2.83	5.05
	0315538BV	10" — 250 mm	9.84	1.38	5.12	11.2	12.6	1.10	2.95	7.30
	0315542BV	12" — 315 mm	12.4	2.05	6.79	13.3	14.6	3.35	3.35	12.4
	0315544BV	14" — 355 mm	14.0	3.03	8.54	14.8	17.0	1.56	5.00	31.6
7.4	0115530BV	6" — 160 mm	6.30	1.00	3.63	6.89	8.38	0.86	2.09	2.56
	0115530LBV ^a	6" — 160 mm	6.30	1.00	15.6	6.89	8.38	0.86	2.09	9.11
	0115534BV	8" — 200 mm	7.87	1.26	5.12	9.13	10.6	1.08	2.83	5.05
	0115538BV	10" — 250 mm	9.84	1.38	5.12	11.2	12.6	1.35	2.95	7.27

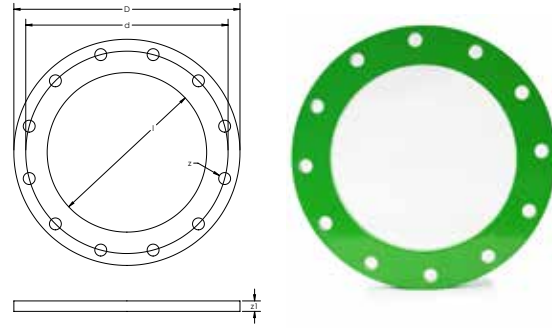
^a Includes 1-ft extension of **aquatherm green pipe**®.

^b Includes 1-ft extension of **aquatherm blue pipe**®.

PRODUCT RANGE - FLANGE

aquatherm FLANGE RING

Carbon steel with green epoxy powder coating, American bolt pattern. ASME B16.5, Class 150 bolt pattern. Made in China. Class 300 rings available on special request. If ordering for a U.S. government/military project, please contact your Regional Sales Manager.



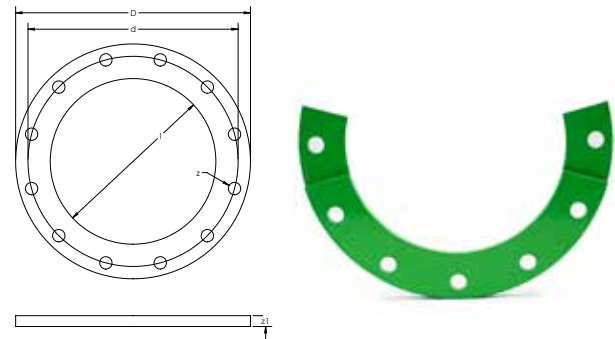
Part no.	Dimension (ND — OD)	No. of bolt holes	D	d	l	z	z1	Weight
			[in]	[in]	[in]	[in]	[in]	[lb]
3315712	1" — 32 mm	4	4.63	3.13	1.63	0.63	0.63	2.38
3315714	1 ¼" — 40 mm	4	4.63	3.50	2.00	0.63	0.63	2.20
3315716	1 ½" — 50 mm	4	5.00	3.88	2.44	0.63	0.63	2.47
3315718	2" — 63 mm	4	6.00	4.75	3.06	0.75	0.63	3.37
3315720	2 ½" — 75 mm	4	7.00	5.50	3.63	0.75	0.63	4.96
3315722 ^a	3" — 90 mm	8	7.50	6.00	4.34	0.75	0.63	4.70
3315724 ^a	3 ½" — 110 mm	8	8.50	7.00	5.25	0.75	0.63	5.73
3315726	4" — 125 mm	8	9.00	7.50	5.25	0.75	0.63	6.94
3315730	6" — 160 mm	8	11.0	9.50	7.00	0.88	0.69	10.5
3315734	8" — 200 mm	8	13.5	11.8	9.31	0.88	0.69	14.2
3315738	10" — 250 mm	12	16.0	14.3	11.3	1.00	0.75	19.7
3315742	12" — 315 mm	12	19.0	17.0	13.4	1.00	0.88	34.2
3315744	14" — 355 mm	12	21.0	18.8	15.0	1.12	0.88	40.1
3315746	16" — 400 mm	16	23.5	21.3	16.9	1.12	0.88	48.1
3315748	18" — 450 mm	16	25.0	22.8	18.8	1.25	0.88	48.5
3315750	20" — 500 mm	20	27.0	25.0	20.8	1.25	1.00	65.7
3315754	24" — 630 mm	20	32.0	29.5	25.4	1.38	1.13	87.1

^a Flange ring will have 8 holes, but only 4 holes will be used when mating up to steel flanges in the same size.

Flange rings are supplied from China. If purchasing requirements mandate materials from a Designated Country per the Trade Agreements Act (FAR 52.225-5), please contact your Aquatherm Regional Sales Manager for pricing and availability.

aquatherm SPLIT FLANGE RING

Carbon steel with green epoxy powder coating, American bolt pattern. ASME B16.5, Class 150 bolt pattern. Flange rings are supplied from China. If purchasing requirements mandate materials from a Designated Country per the Trade Agreements Act (FAR 52.225-5), please contact Aquatherm for pricing and availability.

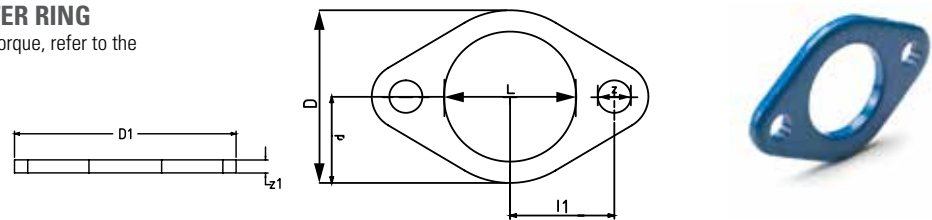


Part no.	Dimension (ND — OD)	No. of bolt holes	D	d	l	z	z1	Weight [lb]
			[in]	[in]	[in]	[in]	[in]	
0615712	1" — 32 mm	4	4.25	3.13	1.63	0.62	0.63	2.38
0615714	1 ¼" — 40 mm	4	4.62	3.50	2.00	0.62	0.63	2.20
0615716	1 ½" — 50 mm	4	5.00	3.88	2.44	0.62	0.63	2.47
0615718	2" — 63 mm	4	6.00	4.75	3.06	0.75	0.63	3.37
0615720	2 ½" — 75 mm	4	7.00	5.50	3.63	0.75	0.63	4.96
0615722 ^a	3" — 90 mm	8	7.50	6.00	4.34	0.75	0.63	4.70
0615724 ^a	3 ½" — 110 mm	8	8.50	7.00	5.25	0.75	0.63	5.73
0615726	4" — 125 mm	8	9.00	7.50	5.25	0.75	0.63	6.94
0615730	6" — 160 mm	8	11.0	9.50	7.00	0.88	0.69	10.5
0615734	8" — 200 mm	8	13.5	11.8	9.31	0.88	0.69	14.2
0615738	10" — 250 mm	12	16.0	14.3	11.3	1.00	0.75	19.7
0615742	12" — 315 mm	12	19.0	17.0	13.4	1.00	0.88	34.2
0615744	14" — 355 mm	12	21.0	18.8	15.0	1.12	0.88	40.1
0615746	16" — 400 mm	16	23.5	21.3	16.9	1.12	0.88	48.1
0615748	18" — 450 mm	16	25.0	22.8	18.8	1.25	0.88	48.5
0615750	20" — 500 mm	20	27.5	25.0	20.8	1.25	1.00	65.7
0615754	24" — 630 mm	20	31.8	29.5	25.4	1.38	1.13	87.1

^a Flange ring will have 8 holes, but only 4 holes will be used when mating up to steel flanges in the same size.

aquatherm PUMP FLANGE ADAPTER RING

American bolt pattern. For flange bolt size and torque, refer to the Aquatherm Installer Manual.

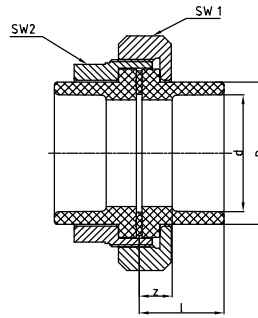


Part no.	Dimension (ND — OD)	d	L	z	D	l1	D1	z1	Weight [lb]
		[in]	[in]	[in]	[in]	[in]	[in]	[in]	
5515712	1" — 32 mm pump flange ring - blue (used with part no. 0115512)	1.33	1.75	0.50	2.66	1.58	4.18	0.25	0.36
5515713	1 ¼" — 40 mm pump flange ring (used with part no. 0115514)	1.33	2.00	0.50	2.66	1.58	4.18	0.25	0.30
5515714	1 ¼" — 40 mm pump flange ring (used with part no. 0115514, fitted Grundfos model UP4375)	1.50	2.00	0.50	3.00	1.75	4.80	0.25	0.43

Flange rings are supplied from China. If purchasing requirements mandate materials from a Designated Country per the Trade Agreements Act (FAR 52.225-5), please contact your Aquatherm Regional Sales Manager for pricing and availability.

PRODUCT RANGE - UNIONS

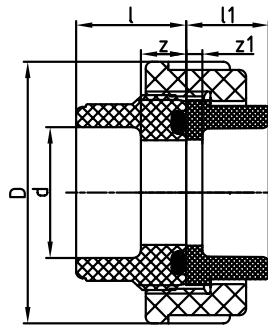
aquatherm UNION WITH BRASS NUT



Part no.	Dimension (ND — OD)	d	l	z	D	SW1	SW2	Weight
		[in]	[in]	[in]	[in]	[in]	[in]	[lb]
0115812	1" — 32 mm	1.26	1.44	0.73	1.61	2.52	1.97	1.06
0115814	1 ¼" — 40 mm	1.57	1.50	0.69	1.97	3.15	2.36	1.85
0115816	1 ½" — 50 mm	1.97	1.61	0.69	2.40	3.39	2.76	1.81
0115818	2" — 63 mm	2.48	1.77	0.69	2.99	4.25	3.54	3.30
0115820	2 ½" — 75 mm	2.95	1.22	0.69	3.54	5.04	4.09	4.40

Replacement gaskets available upon request.

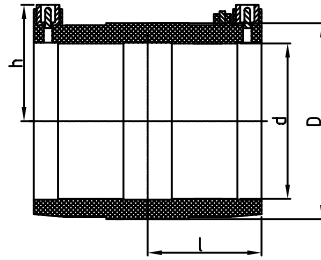
aquatherm UNION WITH PP-R NUT



Part no.	Dimension (ND — OD)	d	l	z	l1	z1	D	Weight
		[in]	[in]	[in]	[in]	[in]	[in]	[lb]
0115838	½" — 20 mm	0.79	1.02	0.47	0.79	0.22	1.81	0.08
0115840	¾" — 25 mm	0.98	1.10	0.47	0.83	0.20	2.20	0.13
0115842	1" — 32 mm	1.26	1.26	0.47	0.91	0.20	2.60	0.20
0115844	1 ¼" — 40 mm	1.57	1.50	0.55	1.00	0.20	3.11	0.30
0115846	1 ½" — 50 mm	1.97	1.77	0.63	1.12	0.20	3.43	0.37
0115848	2" — 63 mm	2.48	2.19	0.79	1.28	0.20	4.21	0.53
0115850	2 ½" — 75 mm	2.95	1.97	0.79	1.42	0.24	5.04	1.20

Replacement O-rings available upon request.

aquatherm ELECTROFUSION COUPLING



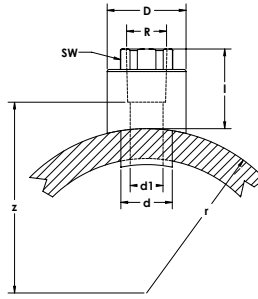
Part no.	Dimension (ND — OD)	d	l	h	D	Weight
		[in]	[in]	[in]	[in]	[lb]
0117208	½" — 20 mm	0.79	1.38	1.42	1.24	0.11
0117210	¾" — 25 mm	0.98	1.54	1.52	1.44	0.13
0117212	1" — 32 mm	1.26	1.57	1.67	1.77	0.17
0117214	1 ¼" — 40 mm	1.57	1.81	1.85	2.13	0.23
0117216	1 ½" — 50 mm	1.97	2.03	2.05	2.56	0.31
0117218	2" — 63 mm	2.48	2.32	2.28	3.21	0.53
0117220	2 ½" — 75 mm	2.95	2.56	2.54	3.78	0.77
0117222	3" — 90 mm	3.54	2.85	2.83	4.47	1.10
0117224	3 ½" — 110 mm	4.33	3.15	3.25	5.47	1.81
0117226	4" — 125 mm	4.92	3.39	3.54	6.14	2.42
0117230 ^a	6" — 160 mm	6.30	3.66	4.31	7.76	3.87
0117234 ^a	8" — 200 mm	7.87	4.13	5.28	9.57	7.99
0117238 ^a	10" — 250 mm	9.84	4.92	6.69	12.4	15.8

^a Cannot be used in conjunction with UV pipe.

PRODUCT RANGE - TRANSITION FITTINGS

aquatherm NPT FUSION OUTLET (female)

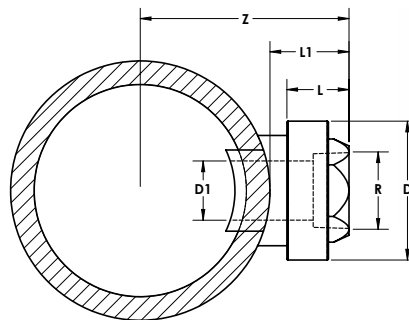
Includes hex-shaped female thread, weld-in surface and weld-in socket for fusion with the inner wall of the pipe. The necessary fusion outlet heads are listed on pages 59-60 (part no. 0050614 - 0050744).



Stainless steel part no. (ISO)	Zero-lead (potable) brass part no. (NPT)	Dimension pipe x outlet (ND — OD) x thread	r	d	d1	R	l	z	D	SW	Weight
			[in]	[in]		[in]	[in]	[in]	[in]	[in]	[in]
0928214	0628214	1 ¼" x ½" — 40 x 25 mm x ½" F	0.79	0.98	0.63	0.50	1.54	1.69	1.52	0.94	0.19
0928216	0628216	1 ½" x ½" — 50 x 25 mm x ½" F	0.99	0.98	0.63	0.50	1.54	1.89	1.52	0.94	0.20
0928218	0628218	2" x ½" — 63 x 25 mm x ½" F	1.24	0.98	0.63	0.50	1.54	2.15	1.52	0.94	0.20
0928220	0628220	2 ½" x ½" — 75 x 25 mm x ½" F	1.48	0.98	0.63	0.50	1.54	2.11	1.52	0.94	0.18
0928222	0628222	3" x ½" — 90 x 25 mm x ½" F	1.77	0.98	0.63	0.50	1.54	2.17	1.52	0.94	0.20
0928224	0628224	3 ½" x ½" — 110 x 25 mm x ½" F	2.17	0.98	0.63	0.50	1.54	3.07	1.52	0.94	0.20
0928226	0628226	4" x ½" — 125 x 25 mm x ½" F	2.46	0.98	0.63	0.50	1.54	3.37	1.52	0.94	0.20
0928230	0628230	6" x ½" — 160 x 25 mm x ½" F	3.15	0.98	0.63	0.50	1.54	4.06	1.52	0.94	0.20
0928232	0628232	8 to 10" x ½" — 200 to 250 x 25 mm x ½" F	3.94	0.98	0.63	0.50	1.54	1.50	1.52	0.94	0.20
0928234	0628234	1 ¼" x ¾" — 40 x 25 mm x ¾" F	0.79	0.98	0.64	0.75	1.54	1.69	1.71	1.22	0.24
0928236	0628236	1 ½" x ¾" — 50 x 25 mm x ¾" F	0.99	0.98	0.64	0.75	1.54	1.95	1.71	1.22	0.24
0928238	0628238	2" x ¾" — 63 x 25 mm x ¾" F	1.24	0.98	0.64	0.75	1.54	2.19	1.71	1.22	0.24
0928240	0628240	2 ½" x ¾" — 75 x 25 mm x ¾" F	1.48	0.98	0.64	0.75	1.54	2.48	1.71	1.22	0.24
0928242	0628242	3" x ¾" — 90 x 25 mm x ¾" F	1.77	0.98	0.64	0.75	1.54	2.87	1.71	1.22	0.24
0928244	0628244	3 ½" x ¾" — 110 x 25 mm x ¾" F	2.17	0.98	0.64	0.75	1.54	3.17	1.71	1.22	0.24
0928246	0628246	4" x ¾" — 125 x 25 mm x ¾" F	2.46	0.98	0.64	0.75	1.54	3.78	1.71	1.22	0.25
0928250	0628250	6" x ¾" — 160 x 25 mm x ¾" F	3.15	0.98	0.64	0.75	1.54	2.30	1.71	1.22	0.25
0928254	0628254	8 to 10" x ¾" — 200 to 250 x 25 mm x ¾" F	3.94	0.98	0.64	0.75	1.54	2.60	1.71	1.22	0.25
(NPT)											
1128260	0628260	2 ½" x 1" — 75 x 32 mm x 1" F	1.48	1.26	0.82	1.00	1.69	2.99	2.36	1.54	0.49
1128262	0628262	3" x 1" — 90 x 32 mm x 1" F	1.77	1.26	0.82	1.00	1.69	3.29	2.36	1.54	0.49
1128264	0628264	3 ½" x 1" — 110 x 32 mm x 1" F	2.17	1.26	0.82	1.00	1.69	3.98	2.36	1.54	0.49
1128266	0628266	4" x 1" — 125 x 32 mm x 1" F	2.46	1.26	0.82	1.00	1.69	4.84	2.36	1.54	0.49
1128270	0628270	6" x 1" — 160 x 32 mm x 1" F	3.15	1.26	0.82	1.00	1.69	4.65	2.36	1.54	0.50
1128274	0628274	8 to 10" x 1" — 200 to 250 x 32 mm x 1" F	3.94	1.26	0.82	1.00	1.69	4.76	2.36	1.54	0.54

aquatherm FLOW METER WELL

May also be used for thermometer well. Other sizes are readily available upon request. Additional sizes and combinations are available. Contact Aquatherm for availability and cost.

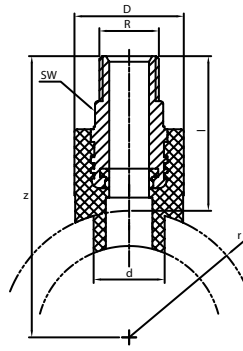


Stainless steel Part no. (NPT)	Zero-lead (potable) brass part no. (NPT)	Dimension pipe x thread	L	L1	R	D	D1	Z	Weight
			[in]	[in]	[in]	[in]	[in]	[in]	[lb]
1128480	0628480	2" x 1/4" F	1.68	2.21	1.25	2.91	1.14	3.69	0.81
1128481	0628481	2 1/2" x 1/4" F	1.68	2.21	1.25	2.91	1.14	3.69	-
1128482	0628482	3" x 1/4" F	1.68	2.21	1.25	2.91	1.14	3.98	-
1128483	0628483	3 1/2" x 1/4" F	1.68	2.21	1.25	2.91	1.14	4.38	-
1128484	0628484	4" x 1/4" F	1.68	2.21	1.25	2.91	1.14	4.67	-
1128485	0628485	6" x 1/4" F	1.68	2.21	1.25	2.91	1.14	5.36	-
1128486	0628486	8" x 1/4" F	1.68	2.21	1.25	2.91	1.14	6.15	-
1128487	0628487	10" x 1/4" F	1.68	2.21	1.25	2.91	1.14	7.13	-
1128500	0628500	4" x 1/2" F	1.72	2.13	1.50	3.38	1.44	4.59	0.89
1128501	0628501	6" x 1/2" F	1.72	2.13	1.50	3.38	1.44	5.28	-
1128502	0628502	8" x 1/2" F	1.72	2.13	1.50	3.38	1.44	6.07	-
1128503	0628503	10" x 1/2" F	1.72	2.13	1.50	3.38	1.44	7.05	-
1128520	0628520	4" x 2" F	1.88	2.36	2.00	3.88	1.81	4.82	1.21
1128521	0628521	6" x 2" F	1.88	2.36	2.00	3.88	1.81	5.51	-
1128522	0628522	8" x 2" F	1.88	2.34	2.00	3.88	1.81	6.28	-
1128523	0628523	10" x 2" F	1.88	2.34	2.00	3.88	1.81	7.26	-
1128524	0628524	12" to 14" x 2" F	1.88	2.34	2.00	3.88	1.81	8.54	-
1128525	0628525	16" to 24" x 2" F	1.88	4.24	2.00	3.88	1.81	12.2	-

PRODUCT RANGE - TRANSITION FITTINGS

aquatherm NPT FUSION OUTLET (male)

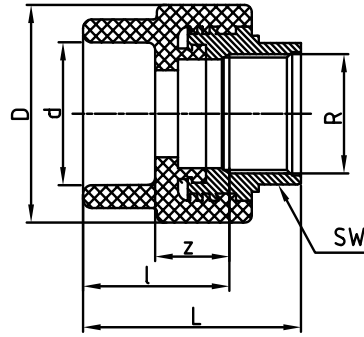
Includes hex-shaped male thread, weld-in surface and weld-in socket for fusion with the inner wall of the pipe. The necessary fusion outlet heads are listed on pages 59-60 (part no. 0050614 - 0050744).



Zero-lead (potable) brass part no. (NPT)	Dimension pipe x outlet (ND — OD) x thread	r	d	l	z	D	R	SW	Weight
		[in]	[in]	[in]	[in]	[in]	[in]	[in]	[lb]
0628314	1 ¼" x ¾" — 40 x 25 mm x ½" M	0.79	0.98	2.17	2.95	1.52	0.50	0.83	0.19
0628316	1 ½" x ¾" — 50 x 25 mm x ½" M	0.99	0.98	2.17	3.15	1.52	0.50	0.83	0.20
0628318	2" x ¾" — 63 x 25 mm x ½" M	1.24	0.98	2.17	3.41	1.52	0.50	0.83	0.20
0628320	2 ½" x ¾" — 75 x 25 mm x ½" M	1.48	0.98	2.17	3.64	1.52	0.50	0.83	0.21
0628322	3" x ¾" — 90 x 25 mm x ½" M	1.77	0.98	2.17	3.94	1.52	0.50	0.83	0.20
0628324	3 ½" x ¾" — 110 x 25 mm x ½" M	2.17	0.98	2.17	4.33	1.52	0.50	0.83	0.20
0628326	4" x ¾" — 125 x 25 mm x ½" M	2.46	0.98	2.17	4.63	1.52	0.50	0.83	0.20
0628330	6" x ¾" — 160 x 25 mm x ½" M	3.15	0.98	2.17	5.31	1.52	0.50	0.83	0.20
0628334	1 ¼" x ¾" — 40 x 25 mm x ¾" M	0.79	0.98	2.20	2.99	1.71	0.75	0.94	0.24
0628336	1 ½" x ¾" — 50 x 25 mm x ¾" M	0.99	0.98	2.20	3.19	1.71	0.75	0.94	0.24
0628338	2" x ¾" — 63 x 25 mm x ¾" M	1.24	0.98	2.20	3.44	1.71	0.75	0.94	0.24
0628340	2 ½" x ¾" — 75 x 25 mm x ¾" M	1.48	0.98	2.20	3.68	1.71	0.75	0.94	0.24
0628342	3" x ¾" — 90 x 25 mm x ¾" M	1.77	0.98	2.20	3.98	1.71	0.75	0.94	0.24
0628344	3 ½" x ¾" — 110 x 25 mm x ¾" M	2.17	0.98	2.20	4.37	1.71	0.75	0.94	0.24
0628346	4" x ¾" — 125 x 25 mm x ¾" M	2.46	0.98	2.20	4.67	1.71	0.75	0.94	0.25
0628350	6" x ¾" — 160 x 25 mm x ¾" M	3.15	0.98	2.20	5.35	1.71	0.75	0.94	0.25

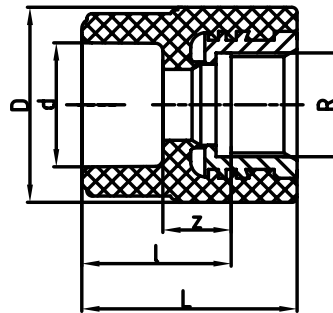
aquatherm NPT TRANSITION PIECE (female)

With hex-shaped threaded transition.



Stainless steel part no. (ISO)	Zero-lead (potable) brass part no. (NPT)	Dimension PP-R (ND — OD) x thread	d	R	l	z	D	L	SW	Weight
			[in]	[in]	[in]	[in]	[in]	[in]	[in]	[in]
-	0621108	(½" — 20 mm) x ½" F	0.79	0.50	1.36	0.79	1.48	1.99	0.94	0.17
-	0621110	(½" — 20 mm) x ¾" F	0.79	0.75	1.14	0.57	1.71	1.97	1.22	0.25
-	0621111	(¾" — 25 mm) x ½" F	0.98	0.50	1.42	0.79	1.48	2.05	0.94	0.20
-	0621112	(¾" — 25 mm) x ¾" F	0.98	0.75	1.14	0.51	1.71	1.97	1.22	0.24
-	0621113	(1" — 32 mm) x ¾" F	1.26	0.75	1.26	0.55	1.71	2.09	1.22	0.25
(NPT)										
1121114	0621114	(1" — 32 mm) x 1" F	1.26	1.00	1.48	0.77	2.36	2.34	1.54	0.53
1121115	0621115	(1 ¼" — 40 mm) x 1" F	1.57	1.00	1.57	0.77	2.36	2.44	1.54	0.50
1121116	0621116	(1 ¼" — 40 mm) x 1 ¼" F	1.57	1.25	1.57	0.77	2.91	2.48	1.97	0.85
1121117	0621117	(1 ½" — 50 mm) x 1 ¼" F	1.97	1.25	1.69	0.77	2.91	2.60	1.97	0.89
1121118	0621118	(1 ½" — 50 mm) x 1 ½" F	1.97	1.50	1.77	0.85	3.37	2.64	2.17	0.92
1121119	0621119	(2" — 63 mm) x 1 ½" F	2.48	1.50	2.03	0.94	3.31	2.89	2.17	0.97
1121120	0621120	(2" — 63 mm) x 2" F	2.48	2.00	2.01	0.93	3.98	3.03	2.64	1.32
-	0621122	(2 ½" — 75 mm) x 2" F	2.95	2.00	2.01	0.83	3.94	3.03	2.64	1.34

aquatherm TRANSITION PIECE round (female)

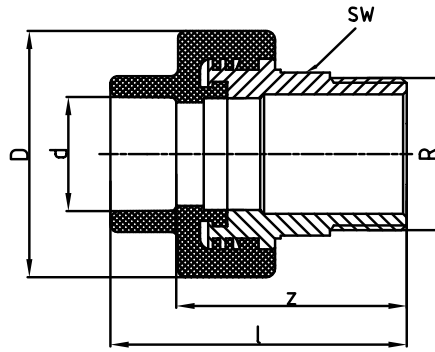


Stainless steel part no. (ISO)	Zero-lead (potable) brass part no. (NPT)	Dimension PP-R (ND — OD) x thread	d	R	l	z	D	L	Weight
			[in]	[in]	[in]	[in]	[in]	[in]	[lb]
0921008	0621008	(½" — 20 mm) x ½" F	0.79	0.50	1.08	0.51	1.48	1.59	0.14
0921010	0621010	(½" — 20 mm) x ¾" F	0.79	0.75	1.08	0.51	1.71	1.59	0.20
0921011	0621011	(¾" — 25 mm) x ½" F	0.98	0.50	1.59	0.51	1.48	1.65	0.14
0921012	0621012	(¾" — 25 mm) x ¾" F	0.98	0.75	1.08	0.45	1.71	1.59	0.19
0921013	0621013	(1" — 32 mm) x ¾" F	1.26	0.75	1.20	0.49	1.71	1.71	0.20

PRODUCT RANGE - TRANSITION FITTINGS

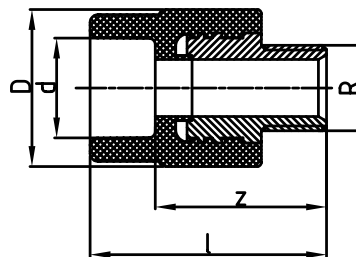
aquatherm NPT TRANSITION PIECE (male)

With hex-shaped threaded transition.



Zero-lead (potable) brass part no. (NPT)	Dimension PP-R (ND — OD) x thread	d	R	l	z	D	SW	Weight
		[in]	[in]	[in]	[in]	[in]	[in]	[lb]
0621308	(½" — 20 mm) x ½" M	0.79	0.50	2.62	2.05	1.52	0.87	0.23
0621310	(½" — 20 mm) x ¾" M	0.79	0.75	2.66	2.09	1.52	0.94	0.28
0621312	(¾" — 25 mm) x ¾" M	0.98	0.75	2.66	2.03	1.52	0.94	0.23
0621314	(1" — 32 mm) x 1" M	1.26	1.00	3.09	2.38	2.09	1.18	0.48
0621316	(1" — 32 mm) x 1 ¼" M	1.26	1.25	3.19	2.48	2.68	1.61	0.70
0621317	(1 ¼" — 40 mm) x 1" M	1.57	1.00	3.19	2.38	2.05	1.18	0.49
0621318	(1 ¼" — 40 mm) x 1 ¼" M	1.57	1.25	3.33	2.52	2.68	1.61	0.71
0621319	(1 ½" — 50 mm) x 1 ¼" M	1.97	1.25	3.37	2.44	2.68	1.61	0.77
0621320	(1 ½" — 50 mm) x 1 ½" M	1.97	1.50	3.48	2.56	2.91	1.81	0.94
0621321	(2" — 63 mm) x 1 ½" M	2.48	1.50	3.72	2.64	2.85	1.81	1.03
0621322	(2" — 63 mm) x 2" M	2.48	2.00	4.04	2.95	3.31	1.97	1.51
0621323	(2 ½" — 75 mm) x 2" M	2.95	2.00	4.02	2.83	3.31	1.97	1.61
0621324	(2 ½" — 75 mm) x 2 ½" M	2.95	2.50	4.13	2.95	3.94	2.56	2.14
0621325	(3" — 90 mm) x 3" M	3.54	3.00	4.76	3.46	4.72	3.35	2.92
0621327	(3 ½" — 110 mm) x 4" M	4.33	4.00	5.83	4.37	5.79	4.13	6.02

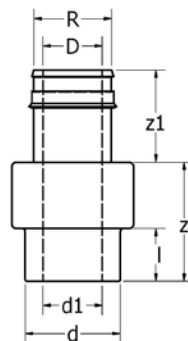
aquatherm TRANSITION PIECE round (male)



Stainless steel part no. (ISO)	Zero-lead (potable) brass part no. (NPT)	Dimension PP-R (ND — OD) x thread	d	R	l	z	D	Weight
			[in]	[in]	[in]	[in]	[in]	[lb]
0921208	0621208	(½" — 20 mm) x ½" M	0.79	0.50	2.22	1.65	1.52	0.19
0921210	0621210	(½" — 20 mm) x ¾" M	0.79	0.75	2.26	1.69	1.52	0.24
0921211	0621211	(¾" — 25 mm) x ½" M	0.98	0.50	2.28	1.65	1.52	0.22
0921212	0621212	(¾" — 25 mm) x ¾" M	0.98	0.75	2.26	1.63	1.52	0.20
0921213	0621213	(1" — 32 mm) x ¾" M	1.26	0.75	2.34	1.63	1.69	0.25

aquatherm PEX ADAPTER (EXPANSION)

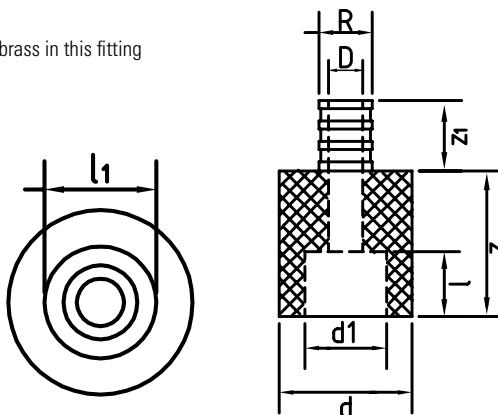
Built to ASTM F1960 standard with PP-R street connection. The brass in this fitting meets the zero-lead (<0.25%) potable water requirement.



Zero-lead (potable) brass part no. (NPT)	Dimension (ND — OD)	d	R	l	z	D	z1	d1	Weight
		[in]	[in]	[in]	[in]	[in]	[in]	[in]	[lb]
0098840	½" (20 mm) PP-R to ½" PEX	0.79	0.61	0.42	1.15	0.38	0.73	0.52	0.09
0098841	¾" (25 mm) PP-R to ¾" PEX	0.98	0.87	0.49	1.20	0.60	0.96	0.65	0.13
0098842	1" (32 mm) PP-R to 1" PEX	1.26	1.00	0.69	1.56	0.80	1.20	0.83	0.21

aquatherm PEX ADAPTER (CRIMP)

Built to ASTM F1807 standard with PP-R socket connection. The brass in this fitting meets the zero-lead (<0.25%) potable water requirement.

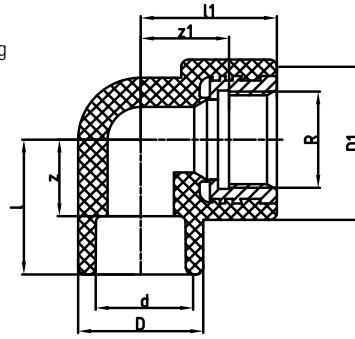


Zero-lead (potable) brass part no. (NPT)	Dimension (ND — OD)	d	R	l	z	D	l1	z1	d1	Weight
		[in]	[in]	[in]	[in]	[in]	[in]	[in]	[in]	[lb]
0099840	½" (20 mm) PP-R to ½" PEX	1.13	0.47	0.63	1.25	0.35	0.75	0.63	0.75	0.09
0099841	¾" (25 mm) PP-R to ¾" PEX	1.38	0.67	0.63	1.38	0.53	1.00	0.63	0.88	0.13
0099842	1" (32 mm) PP-R to 1" PEX	1.75	0.86	0.88	1.63	0.71	1.25	0.80	1.25	0.21

PRODUCT RANGE - TRANSITION FITTINGS

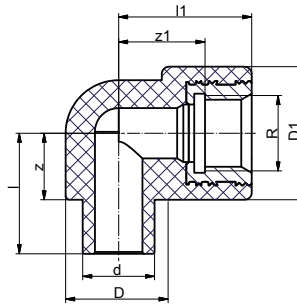
aquatherm TRANSITION ELBOW (female)

Built to ASTM F1807 standard with PP-R socket connection. The brass in this fitting meets the zero-lead (<0.25%) potable water requirement.



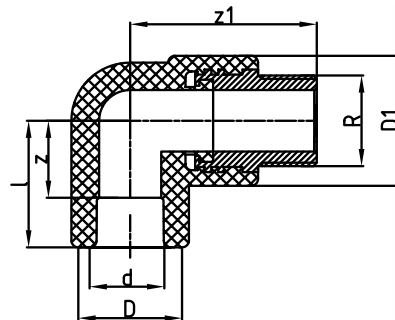
Stainless steel part no. (ISO)	Zero-lead (potable) brass part no. (NPT)	Dimension PP-R (ND — OD) x thread	d	R	l	z	D	l1	z1	D1	Weight
			[in]	[in]	[in]	[in]	[in]	[in]	[in]	[in]	[in]
0923008	0623008	(½" — 20 mm) x ¾" F	0.79	0.75	1.46	0.89	1.34	1.46	0.94	1.73	0.22
0923010	0623010	(½" — 20 mm) x ½" F	0.79	0.50	1.24	0.67	1.16	1.24	0.73	1.46	0.17
0923012	0623012	(¾" — 25 mm) x ¾" F	0.98	0.75	1.46	0.83	1.34	1.46	0.94	1.73	0.22
0923014	0623014	(¾" — 25 mm) x ½" F	0.98	0.50	1.34	0.71	1.34	1.46	0.94	1.46	0.17
0923016	0623016	(1" — 32 mm) x ¾" F	1.26	0.75	1.08	0.37	1.69	2.01	1.50	1.73	0.23
(NPT)											
1123018	0623018	(1" — 32 mm) x 1" F	1.26	1.00	1.34	0.63	1.69	2.62	1.75	2.37	0.55

aquatherm NPT TRANSITION STREET ELBOW (male/female)



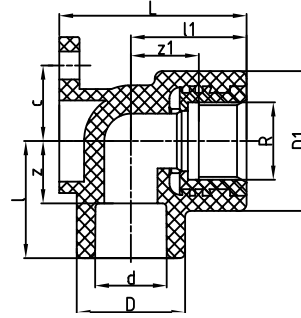
Zero-lead (potable) brass part no. (NPT)	Dimension PP-R (ND — OD) x thread	d	R	l	z	D	l1	z1	D1	Weight	Price
		[in]	[in]	[in]	[in]	[in]	[in]	[in]	[in]	[in]	[lb]
0623208	(½" — 20 mm) x ½" F	0.79	0.50	1.32	0.73	1.16	1.46	0.94	1.46	0.17	7.03

aquatherm TRANSITION ELBOW (PP socket x DIN 2999 thread)



Stainless steel part no. (ISO)	Zero-lead (potable) brass part no. (NPT)	Dimension PP-R (ND — OD) x thread	d	R	l	z	D	z1	D1	Weight
			[in]	[in]	[in]	[in]	[in]	[in]	[in]	[in]
0923506	0623506	(½" — 20 mm) x R ½	0.79	0.50	1.24	0.67	1.16	2.09	1.46	0.24
0923508	0623508	(½" — 20 mm) x R ¾	0.79	0.75	1.46	0.89	1.34	2.13	1.50	0.28
0923510	0623510	(¾" — 25 mm) x R ¾	0.98	0.75	1.46	0.83	1.34	2.13	1.50	0.23
0923512	0623512	(1" — 32 mm) x R ¾	1.26	0.75	1.08	0.37	1.69	2.68	1.50	0.25
-	0623514	(1" — 32 mm) x R 1	1.26	1.00	1.22	0.51	1.69	3.37	2.05	0.51

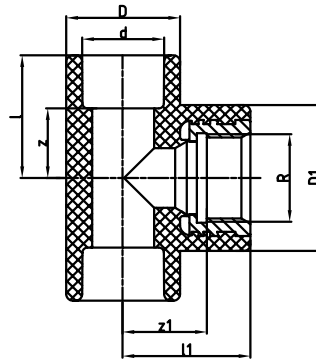
aquatherm DROP EAR 90



Stainless steel part no. (ISO)	Zero-lead (potable) brass part no. (NPT)	Dimension PP-R (ND — OD) x thread	d	R	l	z	D	l1	z1	D1	L	c	Weight
			[in]	[in]	[in]	[in]	[in]	[in]	[in]	[in]	[in]	[in]	[in]
0920108	0620108	(½" — 20 mm) x ½" F	0.79	0.50	1.22	0.65	1.16	1.24	0.61	1.46	2.01	0.79	0.17
0920110	0620110	(½" — 20 mm) x ¾" F	0.79	0.75	1.46	0.89	1.34	1.46	0.94	1.73	2.13	0.98	0.23
0920112	0620112	(¾" — 25 mm) x ¾" F	0.98	0.75	1.46	0.83	1.34	1.46	0.94	1.73	2.13	0.98	0.23
0920113	0620113	(¾" — 25 mm) x ½" F	0.98	0.50	1.32	0.69	1.34	1.22	0.59	1.46	2.09	0.79	0.18

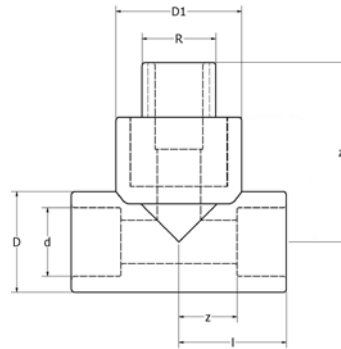
PRODUCT RANGE - TRANSITION FITTINGS

aquatherm TRANSITION TEE (female)



Stainless steel part no. (ISO)	Zero-lead (potable) brass part no. (NPT)	Dimension PP-R (ND — OD) x thread	d	R	l	z	D	l1	z1	D1	Weight
			[in]	[in]	[in]	[in]	[in]	[in]	[in]	[in]	[in]
0925006	0625006	(½" — 20 mm) x (½" — 20 mm) x ½" F	0.79	0.50	1.24	0.67	1.16	1.46	0.94	1.46	0.19
0925008	0625008	(½" — 20 mm) x (½" — 20 mm) x ¾" F	0.79	0.75	1.46	0.89	1.34	1.50	0.98	1.73	0.27
0925010	0625010	(¾" — 25 mm) x (¾" — 25 mm) x ½" F	0.98	0.50	1.34	0.71	1.34	1.50	0.98	1.46	0.20
0925012	0625012	(¾" — 25 mm) x (¾" — 25 mm) x ¾" F	0.98	0.75	1.46	0.83	1.34	1.50	0.98	1.73	0.24
0925014	0625014	(1" — 32 mm) x (1" — 32 mm) x ¾" F	1.26	0.75	1.08	0.37	1.69	2.01	1.50	1.73	0.24
(NPT)											
1125016	0625016	(1" — 32 mm) x (1" — 32 mm) x 1" F	1.26	1.00	1.22	0.53	1.69	2.64	1.93	2.36	0.56
-	0625022	(1 ½" — 50 mm) x (1 ½" — 50 mm) x 1" F	1.97	1.00	1.95	1.02	2.68	2.50	1.71	2.68	0.85

aquatherm NPT TRANSITION TEE (male)

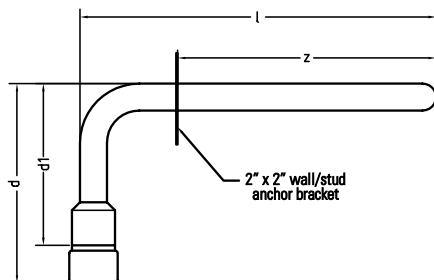


Zero-lead (potable) brass part no. (NPT)	Dimension (ND — OD)	d	R	l	z	D	z1	D1	Weight
		[in]	[in]	[in]	[in]	[in]	[in]	[in]	[lb]
0625506	(½" — 20 mm) x ½" M x (½" — 20 mm)	0.79	0.50	1.24	0.67	1.16	2.09	1.46	0.23

PRODUCT RANGE - TRANSITION FITTINGS

aquatherm 90 STUB OUT (PP-R TO COPPER)

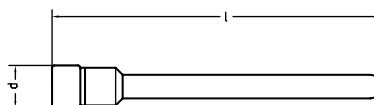
These fittings are combination of a custom Aquatherm PP-R socket with a gasket and copper stub added by Sioux Chief Manufacturing. The molded PP-R portion is covered under Aquatherm's warranty. The copper portion and gasket are covered under a warranty from Sioux Chief.



Part no.	Dimension (ND — OD)	d	d1	l	z	Weight
		[in]	[in]	[in]	[in]	[lb]
AQ630P248E	½" — 20 mm	4.63	3.75	8.25	6.00	0.30
AQ630P368E	¾" — 25 mm	7.50	6.63	8.50	6.00	0.55
AQ630P41110	1" — 32 mm	12.3	11.3	10.5	7.50	1.10

aquatherm STRAIGHT STUB OUT (PP-R TO COPPER)

These fittings are a combination of a custom Aquatherm PP-R socket with a gasket and copper stub added by Sioux Chief Manufacturing. The molded PP-R portion is covered under Aquatherm's warranty. The copper portion and gasket are covered under a warranty from Sioux Chief.

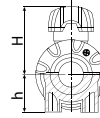
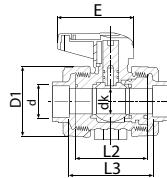


Part no.	Dimension (ND — OD)	d	l	Weight
		[in]	[in]	[lb]
AQ638P211	½" — 20 mm	0.79	11.0	0.41
AQ638P311	¾" — 25 mm	0.98	11.0	0.68
AQ638P418	1" — 32 mm	1.26	18.0	0.94

PRODUCT RANGE - VALVES

aquatherm POLYPROPYLENE BALL VALVE

Replacement parts can be ordered for O-rings, handles, end connectors, and socket inserts for pipe connection.

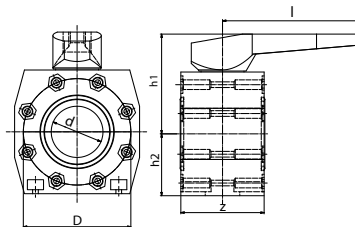


Part no.	Dimension (ND — OD)	E	D1	d	dk	L2	L3	H	h	Weight
		[in]	[in]	[in]	[in]	[in]	[in]	[in]	[in]	[lb]
0041488	½" — 20 mm	2.60	1.98	0.79	0.53	2.22	2.68	2.01	1.06	0.26
0041588 ^a	½" — 20 mm	2.60	1.98	0.79	0.53	2.22	2.68	2.01	1.06	0.26
0041490	¾" — 25 mm	3.19	2.32	0.98	0.73	2.58	3.09	2.40	1.18	0.40
0041590 ^a	¾" — 25 mm	3.19	2.32	0.98	0.73	2.58	3.09	2.40	1.18	0.40
0041492	1" — 32 mm	3.21	2.77	1.26	0.94	2.83	3.33	2.40	1.57	0.60
0041592 ^a	1" — 32 mm	3.21	2.77	1.26	0.94	2.83	3.33	2.40	1.57	0.60
0041494	1 ¼" — 40 mm	3.60	3.38	1.57	1.22	3.35	3.94	3.19	1.81	1.07
0041594 ^a	1 ¼" — 40 mm	3.60	3.38	1.57	1.22	3.35	3.94	3.19	1.81	1.07
0041496	1 ½" — 50 mm	3.60	3.92	1.97	1.52	3.50	4.21	3.54	2.17	1.43
0041596 ^a	1 ½" — 50 mm	3.60	3.92	1.97	1.52	3.50	4.21	3.54	2.17	1.43
0041498	2" — 63 mm	5.57	4.94	2.48	1.97	3.98	4.65	4.50	2.76	2.66
0041598 ^a	2" — 63 mm	5.57	4.94	2.48	1.97	3.98	4.65	4.50	2.76	2.66
0041400	2 ½" — 75 mm	7.31	5.06	3.62	2.53	8.13	9.00	5.50	2.90	5.35

^aPart comes with a gray fluoroelastomer (FPM/FKLM) gasket.

aquatherm BALL VALVE WITH BOLT/GASKET KIT

Polypropylene construction with ISO bolt pattern. Comes with 2 gaskets, 16 bolts, and 16 washers. Contact Aquatherm to order parts individually. Replacement O-rings available upon request.



Part no.	Dimension (ND — OD)	d	l	z	D	h1	h2	Weight
		[in]	[in]	[in]	[in]	[in]	[in]	[lb]
0041802	3" — 90 mm	3.03	8.27	4.88	6.30	5.91	3.66	9.25
0041804 ^a	3 ½" to 4" — 110 to 125 mm	3.70	10.2	5.71	7.09	6.50	4.06	12.4
0041807	6" — 160 mm	5.31	12.2	8.07	9.45	8.27	5.37	29.6

^aFor a 4" connection, use part no. 0115526 and part no. 3315726. For a 3 ½" connection, use part no. 0115524 and part no. 3315724.

Note: A full-faced flange gasket should be used with these valves. Do not use an O-ring with or without the flange gasket or leakage may occur. Discard any O-ring that may come with the valve.

REPLACEMENT BOLT/GASKET KIT FOR BALL VALVES

Kit includes the following replacement parts for the polypropylene Aquatherm ball valves: 2 gaskets, 16 bolts, and 16 washers.

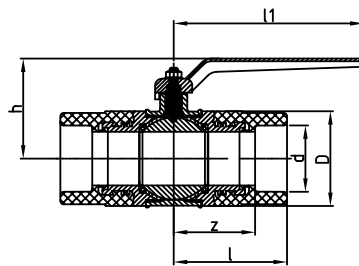
Part no.	Dimension (ND — OD)
4160218-S ^a	3" — 90 mm
4160418-S ^b	3 ½" to 4" — 110 to 125 mm
4160718-S ^c	6" — 160 mm

^aReplacement kit for part no. 0041602 and 0041702.

^bReplacement kit for part no. 0041604 and 0041704.

^cReplacement kit for part no. 0041607 and 0041707.

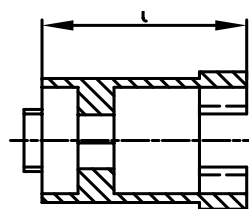
aquatherm POLYPROPYLENE/BRASS BALL VALVE



Industrial brass part no.	Dimension (ND — OD)	d	l	z	D	h	l1	Weight
		[in]	[in]	[in]	[in]	[in]	[in]	[lb]
0041308	½" — 20 mm	0.79	2.17	1.59	1.26	2.60	3.35	0.62
0041310	¾" — 25 mm	0.98	2.17	1.54	1.61	2.87	3.35	0.83
0041312	1" — 32 mm	1.26	2.50	1.79	1.85	3.23	4.25	1.31
0041314	1 ¼" — 40 mm	1.57	2.85	2.05	2.28	3.66	4.25	2.24
0041316	1 ½" — 50 mm	1.97	3.29	2.36	2.78	4.49	5.51	3.72
0041318	2" — 63 mm	2.48	4.04	2.95	3.43	5.20	5.51	6.34

*Brass components in these valves do not comply with the 2015 zero-lead requirements for potable water systems.

aquatherm BALL VALVE HANDLE EXTENSION



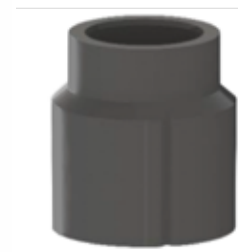
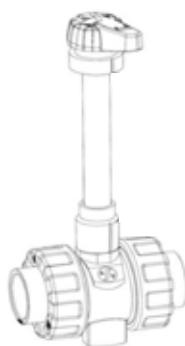
Part no.	Dimension (ND — OD) x length	l	Weight
		[in]	[lb]
0041378	½" to ¾" x 1 ½" — 20 to 25 mm x 35 mm	1.38	0.26
0041382	1" to 1 ¼" x 1 ½" — 32 to 40 mm x 35 mm	1.38	0.26
0041386	1 ½" to 2" x 1 ½" — 50 - 63 mm x 46 mm	1.81	0.60

Part no. 0041378 suitable for part no. 0041308 / 0041310.

Part no. 0041382 suitable for part no. 0041312 / 0041314.

Part no. 0041386 suitable for part no. 0041316 / 0041318.

aquatherm EXTENSION FOR BALL VALVE

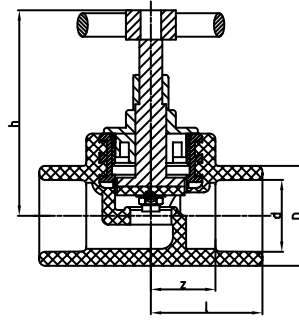


Part no.	Dimension (ND — OD)	Length	Weight
		[in]	[lb]
0098900	½" x 4" — 20 mm x 100 mm	3.94	0.04
0098901	¾" to 1" x 4" — 25 to 32 mm x 100 mm	3.94	0.06
0098902	1 ¼" to 1 ½" x 4" — 40 to 50 mm x 100 mm	3.94	0.07
0098903	2" x 4" — 63 mm x 100 mm	3.94	0.09

PRODUCT RANGE - VALVES

aquatherm SCREW-DOWN STOP GLOBE VALVE

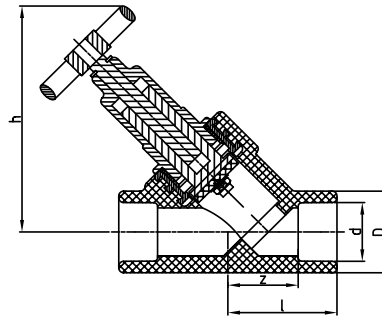
For surface installation.



Part no.	Dimension (ND — OD)	d	l	z	D	h	Weight
		[in]	[in]	[in]	[in]	[in]	[lb]
0140808	½" — 20 mm	0.79	1.38	0.81	1.16	2.76	0.36
0140810	¾" — 25 mm	0.98	1.50	0.87	1.34	2.76	0.38
0140812	1" — 32 mm	1.26	1.93	1.22	1.69	3.41	0.69
0140814	1 ¼" — 40 mm	1.57	2.36	1.56	2.05	3.96	1.29

*Brass components in these valves do not comply with the 2015 zero-lead requirements for potable water systems.

aquatherm INCLINED VALVE without drain

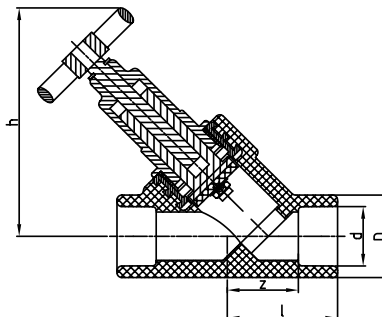


Industrial brass part no.	Dimension (ND — OD)	d	l	z	D	h	Weight
		[in]	[in]	[in]	[in]	[in]	[lb]
0141108	½" — 20 mm	0.79	1.77	1.20	1.34	3.76	0.65
0141110	¾" — 25 mm	0.98	1.77	1.14	1.34	3.76	0.62
0141112	1" — 32 mm	1.26	2.20	1.50	1.69	4.39	0.93
0141114	1 ¼" — 40 mm	1.57	2.56	1.75	2.05	5.31	1.84

*Brass components in these valves do not comply with the 2015 zero-lead requirements for potable water systems.

aquatherm INCLINED CHECK VALVE without drain

Adjustable pressure check valve.

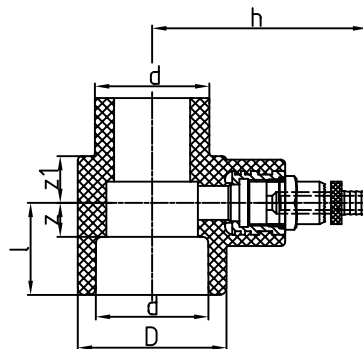


Industrial brass part no.	Dimension (ND — OD)	d	l	z	D	h	Weight
		[in]	[in]	[in]	[in]	[in]	[lb]
0041208	½" — 20 mm	0.79	1.77	1.20	1.34	3.76	0.65
0041210	¾" — 25 mm	0.98	1.77	1.14	1.34	3.76	0.64
0041212	1" — 32 mm	1.26	2.20	1.50	1.69	4.39	0.95
0041214	1 ¼" — 40 mm	1.57	2.56	1.75	2.05	5.31	1.85

*Brass components in these valves do not comply with the 2015 zero-lead requirements for potable water systems.

aquatherm DRAINING BRANCH

Fused in-line for use with **aquatherm green pipe** valves or other cases where draining is needed.

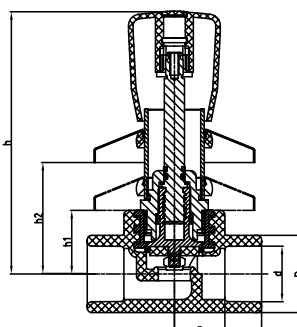


Industrial brass part no. (NPT)	Dimension (ND — OD)	d	l	z	D	z1	h	Weight
		[in]	[in]	[in]	[in]	[in]	[in]	[lb]
0041408	½" — 20 mm	0.79	0.45	1.02	1.34	0.65	2.64	0.22
0041410	¾" — 25 mm	0.98	0.39	1.02	1.34	0.65	2.64	0.21
0041412	1" — 32 mm	1.26	0.55	1.26	1.69	0.67	2.78	0.26
0041414	1 ¼" — 40 mm	1.57	0.47	1.28	2.05	0.65	3.01	0.31
0041416	1 ½" — 50 mm	1.97	0.61	1.54	2.68	0.67	3.30	0.45
0041418	2" — 63 mm	2.48	0.65	1.73	3.31	0.65	3.66	0.64

*Brass components in these valves do not comply with the 2015 zero-lead requirements for potable water systems.

aquatherm CONCEALED VALVE (standard)

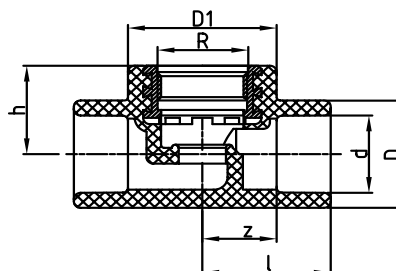
Chromium-plated. Includes hot/cold water indicator.



Industrial brass part no.	Dimension (ND — OD)	d	l	z	D	i ₁	h ₁	h ₂	Weight
		[in]	[in]	[in]	[in]	[in]	[in]	[in]	[lb]
0140858	½" — 20 mm	0.79	1.38	0.81	1.16	4.57	1.10	2.32	0.70
0140860	¾" — 25 mm	0.98	1.50	0.87	1.34	4.57	1.10	2.32	0.73
0140862	1" — 32 mm	1.26	1.93	1.22	1.69	4.76	1.34	2.32	0.92

*Brass components in these valves do not comply with the 2015 zero-lead requirements for potable water systems.

aquatherm STOP VALVE BODY ISO

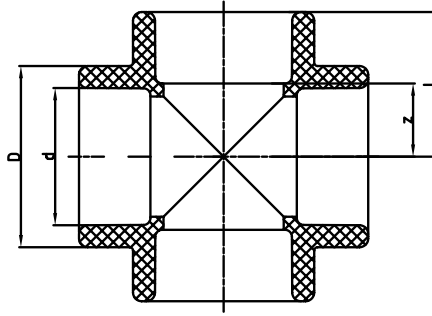


Industrial brass part no. (ISO)	Dimension PP-R (ND — OD) x thread	d	l	z	D	h	D1	R	Weight
		[in]	[in]	[in]	[in]	[in]	[in]	[in]	[lb]
0040908	(½" — 20 mm) x ¾" F	0.79	1.38	0.79	1.16	1.10	1.73	0.75	0.21
0040910	(¾" — 25 mm) x ¾" F	0.98	1.50	0.87	1.34	1.10	1.73	0.75	0.22
0040912	(1" — 32 mm) x 1" F	1.26	1.93	1.22	1.69	1.34	2.05	1.00	0.32
0040914	(1 ¼" — 40 mm) x 1 ¼" F	1.57	2.36	1.56	2.05	1.61	-	1.25	0.69

*Brass components in these valves do not comply with the 2015 zero-lead requirements for potable water systems.

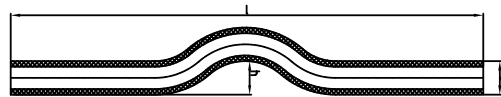
PRODUCT RANGE - ACCESSORIES

aquatherm CROSS



Part no.	Dimension (ND — OD)	d	z	l	D	Weight
		[in]	[in]	[in]	[in]	[lb]
0113708	½" — 20 mm	0.79	0.45	1.02	1.16	0.06
0113710	¾" — 25 mm	0.98	0.53	1.16	1.34	0.08
0113712	1" — 32 mm	1.26	0.67	1.38	1.69	0.14
0113714	1 ¼" — 40 mm	1.57	0.83	1.63	2.05	0.22

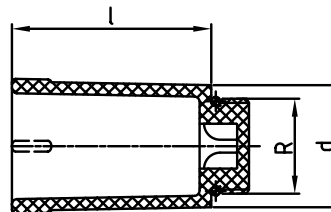
aquatherm CROSS-OVER



Part no.	Dimension (ND — OD)	d	h	l	Weight
		[in]	[in]	[in]	[lb]
0116108	½" — 20 mm	0.79	0.87	13.9	0.13
0116110	¾" — 25 mm	0.98	0.98	13.9	0.20
0116112	1" — 32 mm	1.26	1.26	13.9	0.34

aquatherm ISO PLUG FOR PRESSURE TESTS

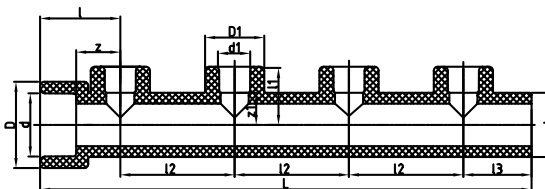
Includes gasket.



Part no.	Dimension	d	R	l	Weight
		[in]	[in]	[in]	[lb]
0050708	½" M	1.10	0.50	2.19	0.05
0050710	¾" M	1.34	0.75	2.19	0.06

aquatherm DISTRIBUTION PIPE

246 mm long, with four branch connections. This distribution pipe can be cut short or supplemented by fusion with additional distribution pipes as needed. The brass in this fitting meets potable water requirements.



Part no.	Dimension (ND — OD)	d	d1	l	z	D	l1	z1	D1	l2	l3	L	Weight
		[in]	[in]	[in]	[in]	[in]	[in]	[in]	[in]	[in]	[in]	[in]	[lb]
0130604	1" x ½" — 32 x 20 mm	1.26	0.79	1.57	0.87	1.69	1.14	0.57	1.16	2.24	1.42	9.65	0.30

aquatherm DISTRIBUTOR END PIECE

PP-R socket with female thread NPT for emptying or aerating a distribution pipe. The brass in this fitting meets potable water requirements.



Zero-lead (potable) brass part no. (NPT)	Dimension (ND — OD) x thread	d	l	z	D	L	R	Weight
		[in]	[in]	[in]	[in]	[in]	[in]	[lb]
0630804	(1" — 32 mm) x ½" F	1.26	1.18	0.47	1.69	1.69	0.50	0.10

PRODUCT RANGE - TOOLS

aquatherm DRILL BIT

Part no.	Dimension	Weight [lb]
0050940	½" & ¾" — 20 & 25 mm (for pipes 1 ¼" - 6" — 40 - 160 mm)	0.30
0050941	½" & ¾" — 20 & 25 mm (for pipes 6" - 10" — 160 - 250 mm)	0.35
0050942	1" — 32 mm	0.46
0050944	1 ¼" — 40 mm	0.63
0050946	1 ½" — 50 mm	0.70
0050948	2" — 63 mm	1.00



aquatherm HOLE SAWS AND COMPONENTS

Part no.	Dimension
0050987 ^a	2 ½" — 75 mm
0050988 ^a	3" — 90 mm
0050989 ^b	3 ½" — 110 mm
0050990 ^b	4" — 125 mm
0050991 ^b	6" — 160 mm
0050973	Small Hole Saw Pilot Bit/Arbor Quick Change Adapter (75 mm - 90 mm)
0050975	Hole Saw Pilot Bit
0050976	1/2" Hole Saw Arbor/Drill Chuck Adapter (110 mm - 160 mm)



^aRequires part 0050973.

^bRequires parts 0050975 & 0050976.

aquatherm REPLACEMENT PILOT BITS

Part no.	Dimension (ND — OD)
0099910	½" to 1" — 20 to 32 mm
0099911	1 ¼" to 2" — 40 to 63 mm

aquatherm REPAIR SET

For closing pipe holes up to 0.4 in. Use with repair plug (part no. 0060600).

Part no.	Dimension	Weight [lb]
0050307	¼" — 7 mm	0.32
0050311	⅞" — 11 mm	0.39



aquatherm REPAIR PLUG

PP-R plug for closing pipe holes up to 0.4 in. Use with Aquatherm repair set (part no. 0050307 & 0050311).

Part no.	Dimension OD for each end	Weight [lb]
0060600	⅞" x ¼" — 11 x 7 mm	0.02



aquatherm PIPE CUTTER

For use with Aquatherm pipe only.

Part no.	Dimension	Weight [lb]
0050104	(⅜" - 1 ¼") — (16 - 40 mm)	1.30



aquatherm TEMPERATURE PROTECTIVE GLOVES (PAIR)

For use during fusion and changing welding heads.

Part no.	Dimension
0050195	20 mm x 1/2"IG x 20 mm



aquatherm DEPTH GAUGE

For marking socket fusion depth on pipe sizes ½" through 4"

Part no.	Dimension (ND — OD)
0001111	Green depth gauge - ½" thru 4"
0001112	Blue depth gauge - 2" thru 4"



aquatherm FUSION HEADS

Part no.	Dimension	Weight
		[lb]
0050206	⅜" — 16 mm	0.24
0050208	½" — 20 mm	0.25
0050210	¾" — 25 mm	0.31
0050212	1" — 32 mm	0.46
0050214	1 ¼" — 40 mm	0.68
0050216	1 ½" — 50 mm	1.00
0050218	2" — 63 mm	1.50
0050220	2 ½" — 75 mm	2.02
0050222	3" — 90 mm	3.12
0050224	3 ½" — 110 mm	5.41
0050226	4" — 125 mm	7.33



aquatherm FUSION OUTLET HEADS

Part no.	Dimension	Weight
		[lb]
0050614	1 ¼" x ½" & ¾" — 40 x 20 & 25 mm	0.41
0050616	1 ½" x ½" & ¾" — 50 x 20 & 25 mm	0.49
0050619	2" x ½" & ¾" — 63 x 20 & 25 mm	0.53
0050620	2" x 1" — 63 x 32 mm	0.54
0050623	2 ½" x ½" & ¾" — 75 x 20 & 25 mm	0.56
0050624	2 ½" x 1" — 75 x 32 mm	0.57
0050625	2 ½" x 1 ¼" — 75 x 40 mm	0.99
0050627	3" x ½" & ¾" — 90 x 20 & 25 mm	0.59
0050628	3" x 1" — 90 x 32 mm	0.61
0050629	3" x 1 ¼" — 90 x 40 mm	1.02
0050631	3 ½" x ½" & ¾" — 110 x 20 & 25 mm	0.61
0050632	3 ½" x 1" — 110 x 32 mm	0.63
0050634	3 ½" x 1 ¼" — 110 x 40 mm	1.06
0050635	3 ½" x 1 ½" — 110 x 50 mm	1.71
0050636	4" x ½" & ¾" — 125 x 20 & 25 mm	0.64
0050638	4" x 1" — 125 x 32 mm	0.66
0050640	4" x 1 ¼" — 125 x 40 mm	1.12
0050642	4" x 1 ½" — 125 x 50 mm	1.74
0050644	4" x 2" — 125 x 63 mm	2.71
0050648	6" x ½" & ¾" — 160 x 20 & 25 mm	0.71
0050650	6" x 1" — 160 x 32 mm	0.74
0050652	6" x 1 ¼" — 160 x 40 mm	1.20
0050654	6" x 1 ½" — 160 x 50 mm	1.85



PRODUCT RANGE - TOOLS

aquatherm FUSION OUTLET HEADS (continued)

Part no.	Dimension	Weight
		[lb]
0050656	6" x 2" — 160 x 63 mm	2.84
0050657	6" x 2 ½" — 160 x 75 mm	3.90
0050658	6" x 3" — 160 x 90 mm	6.71
0050660	8" x ½" & ¾" — 200 x 20 & 25 mm	0.44
0050662	8" x 1" — 200 x 32 mm	0.51
0050664	8" x 1 ¼" — 200 x 40 mm	0.89
0050666	8" x 1 ½" — 200 x 50 mm	1.42
0050667	8" x 2 ½" — 200 x 75 mm	3.94
0050668	8" x 2" — 200 x 63 mm	2.30
0050669	8" x 3" — 200 x 90 mm	6.77
0050670	8" x 3 ½" — 200 x 110 mm	10.5
0050671	8" x 4" — 200 x 125 mm	13.6
0050672	10" x ½" & ¾" — 250 x 20 & 25 mm	0.44
0050674	10" x 1" — 250 x 32 mm	0.51
0050676	10" x 1 ¼" — 250 x 40 mm	0.89
0050678	10" x 1 ½" — 250 x 50 mm	1.46
0050680	10" x 2" — 250 x 63 mm	2.35
0050682	10" x 2 ½" — 250 x 75 mm	3.95
0050684	10" x 3" — 250 x 90 mm	6.77
0050686	10" x 3 ½" — 250 x 110 mm	10.6
0050688	10" x 4" — 250 x 125 mm	13.2
0050690	12" x 2" — 315 x 63 mm	2.41
0050692	12" x 2 ½" — 315 x 75 mm	4.22
0050694	12" x 3" — 315 x 90 mm	7.11
0050696	12" x 3 ½" — 315 x 110 mm	10.6
0050698	12" x 4" — 315 x 125 mm	13.2
0050699	12" x 6" — 315 x 160 mm	20.6
0050712	14" x 2" — 355 x 63 mm	2.43
0050714	14" x 2 ½" — 355 x 75 mm	4.40
0050716	14" x 3" — 355 x 90 mm	7.22
0050718	14" x 3 ½" — 355 x 110 mm	10.7
0050720	14" x 4" — 355 x 125 mm	13.3
0050722	14" x 6" — 355 x 160 mm	19.5
0050724	14" x 8" — 355 x 200 mm	31.5
0050726	16" - 24" x 2" — 400-630 x 63 mm	2.34
0050728	16" - 20" x 2 ½" — 400-500 x 75 mm	3.41
0050732	16" - 20" x 3" — 400-500 x 90 mm	5.21
0050736	16" - 18" x 3 ½" — 400-450 x 110 mm	6.46
0050740	24" x 3 ½" — 630 x 110 mm	9.11
0050742	16" x 4" — 400 x 125 mm	11.8
0050744	18" - 20" x 4" — 450-500 x 125 mm	11.9

